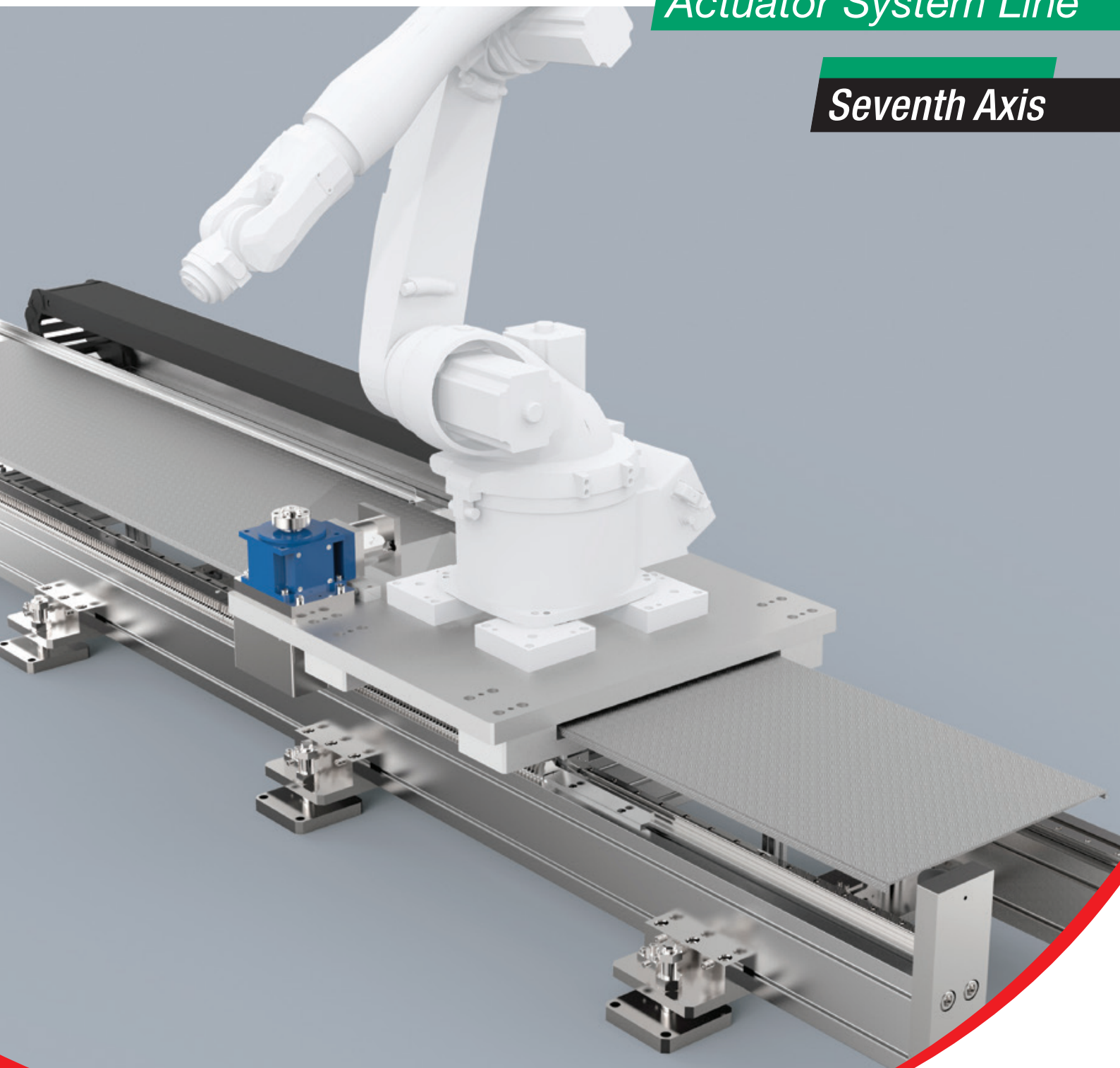


ROLLON[®]
BY TIMKEN

Actuator System Line

Seventh Axis



Product Overview
English

www.rollon.com

Seventh Axis

Advantages



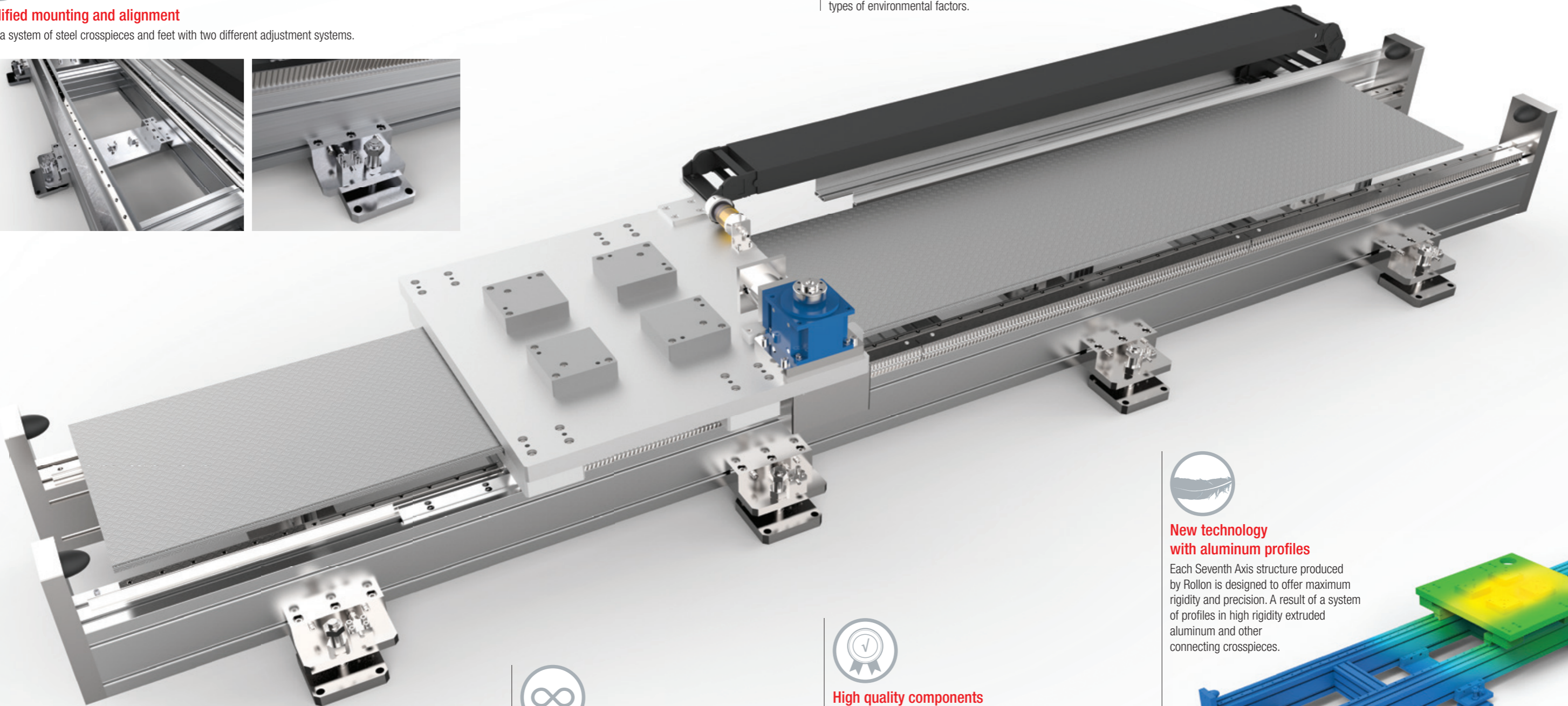
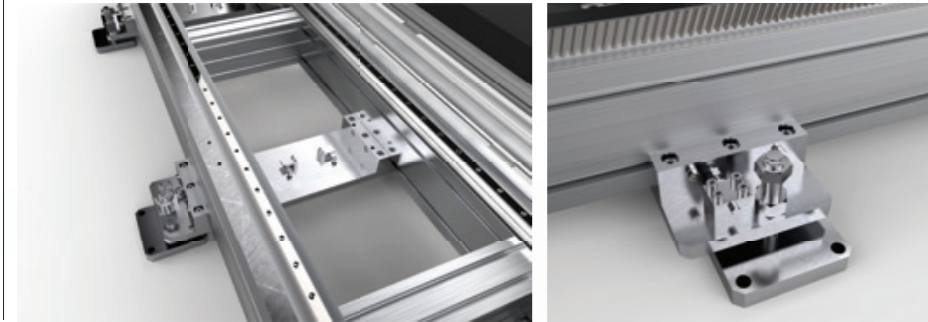
Increase a robot's range of motion.

By utilizing a shuttle system, a robot can be moved over long distances with a high range of dynamics. Available in 7 different sizes, Rollon Seventh Axis is easy to integrate and can move any type of robot weighing up to 2000 Kg.



Simplified mounting and alignment

Due to a system of steel crosspieces and feet with two different adjustment systems.



Protection for every work environment

The Seventh Axis can be configured with different options to protect it from different types of environmental factors.



Easily integrated with any type of robot

A complete range of 7 different sizes guarantees simple integration for any type of robot, weighing up to 2000 Kg.



Reliability backed by decades of experience

Seventh Axis by Rollon was created from 40 years of expertise in designing and producing linear motion systems.



Potentially infinite strokes

Thanks to jointable, self-centering inserts.



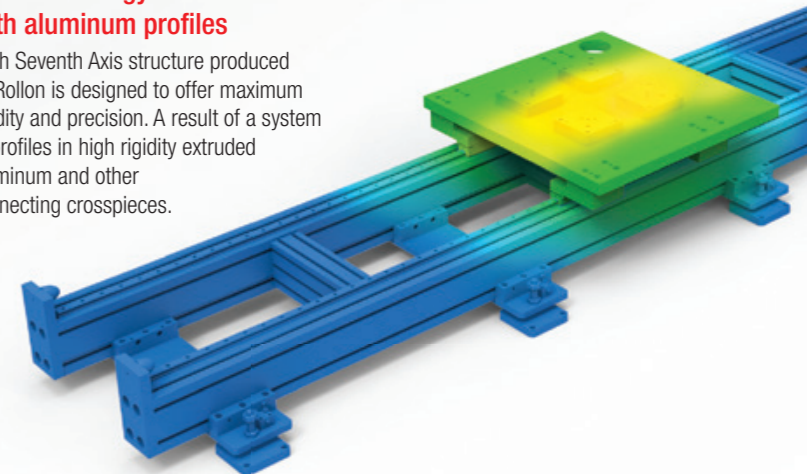
High quality components

Designed with carefully selected high quality components: tempered racks with helical teeth, rails with recirculating rollers and planetary or hypoid bevel gearboxes.



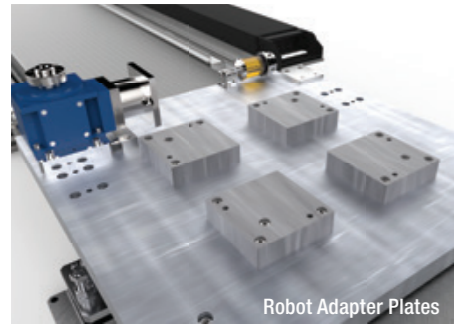
New technology with aluminum profiles

Each Seventh Axis structure produced by Rollon is designed to offer maximum rigidity and precision. A result of a system of profiles in high rigidity extruded aluminum and other connecting crosspieces.



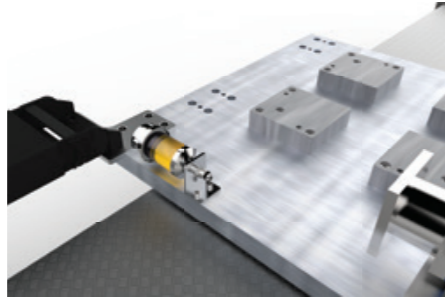
Seventh Axis

Components and Accessories

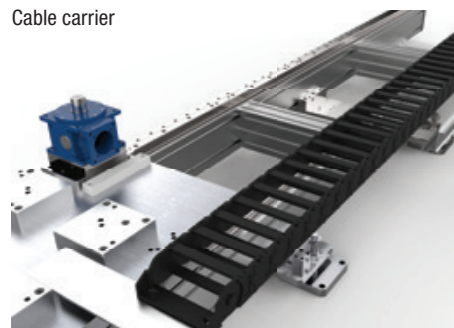


Robot Adapter Plates

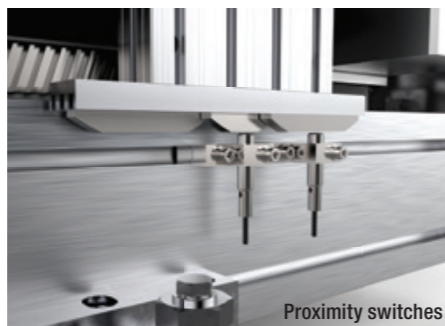
Rack lubrication system



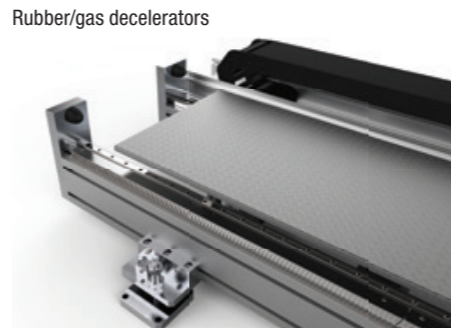
Rack lubrication system



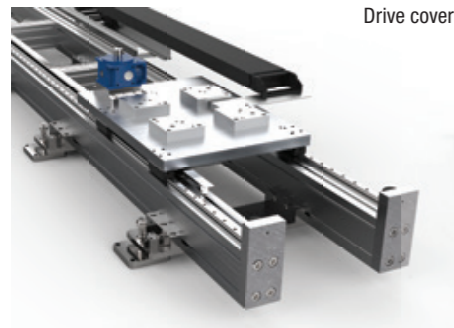
Cable carrier



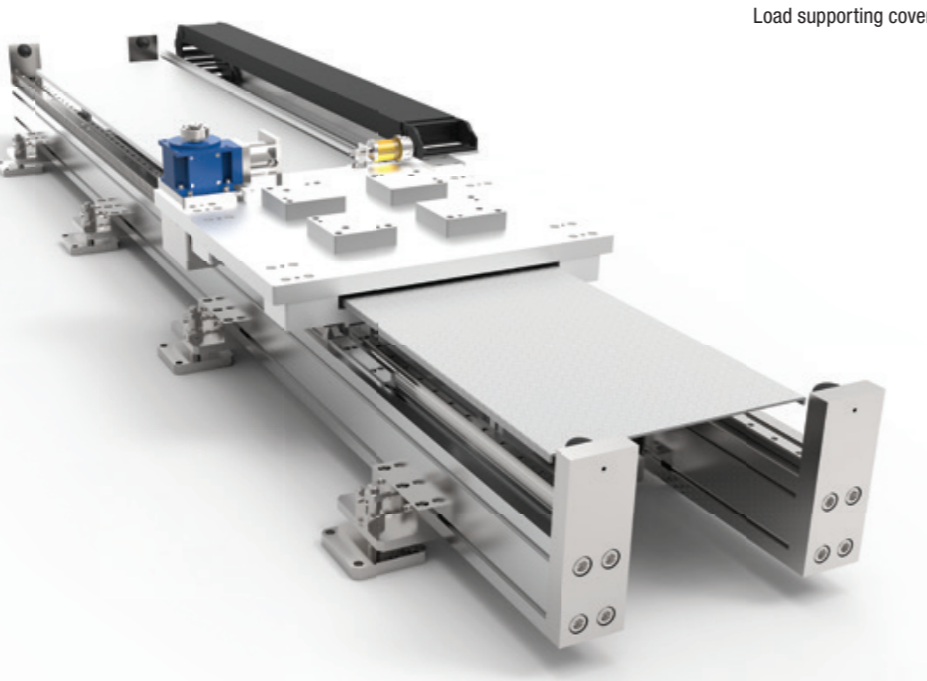
Proximity switches



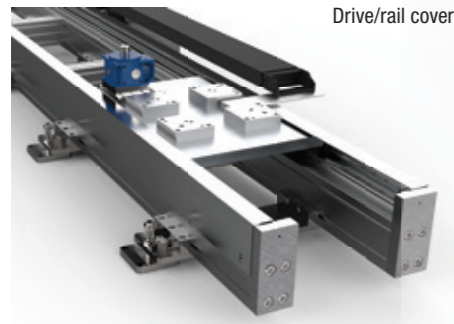
Rubber/gas decelerators



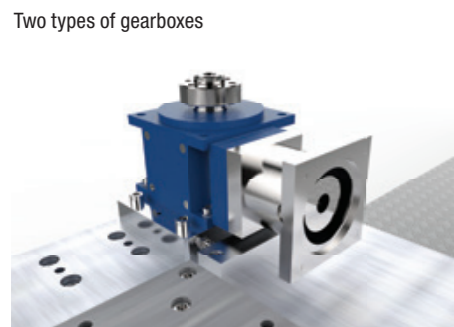
Drive cover



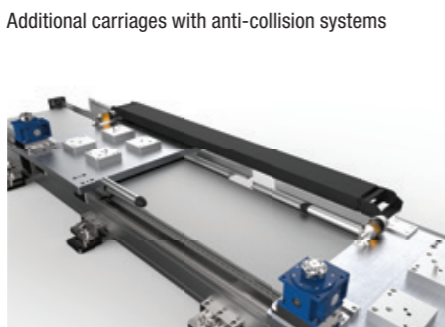
Load supporting cover



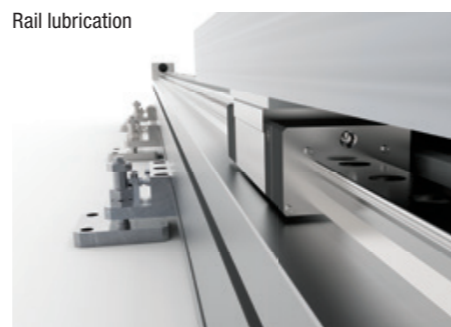
Drive/rail cover



Two types of gearboxes

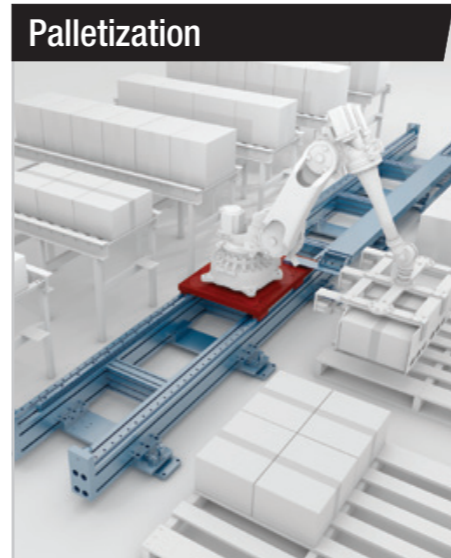


Additional carriages with anti-collision systems

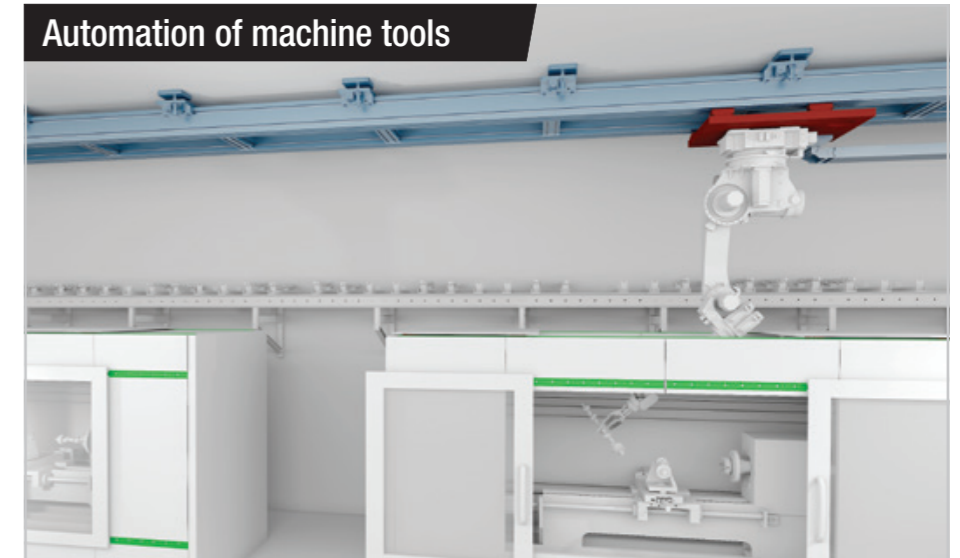


Rail lubrication

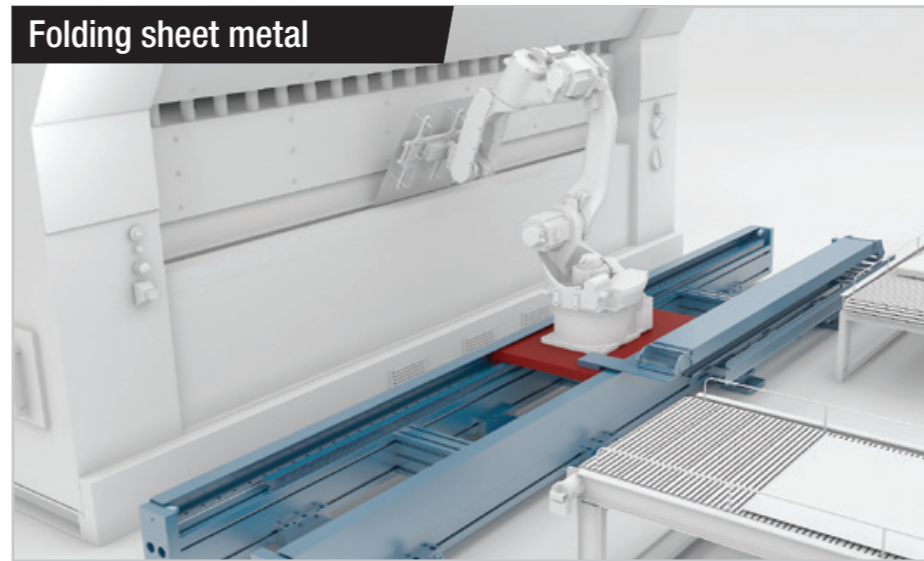
Examples of Applications



Palletization



Automation of machine tools



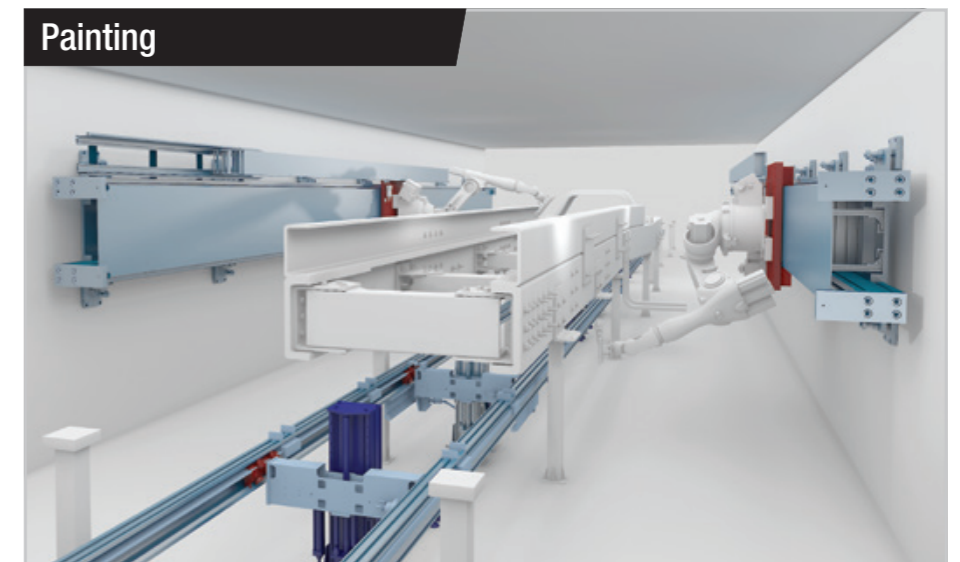
Folding sheet metal



Welding



Gluing



Painting

Technical Features

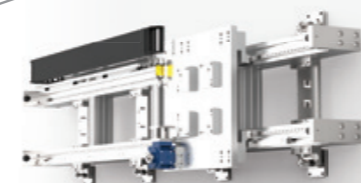


Reference		Section		Drive		Anti-corrosion	Protection			Size	Number of profiles	Maximum speed [m/s]	Maximum acceleration [m/s ²]	Repeatability [mm]	Maximum stroke [mm]	Examples of Robots*1			
Family	Product	Rollers	Ball Bearings	Rack	Belt		Drive	Rails	Load supporting cover							Brand	Model	Payload [Kg]	Weight [Kg]
Seventh Axis	SEV220-1						✓			220x100	1	2	4	+/-0,05	6000	YASKAWA	GP7; GP8	7-8	32-34
	SEV80-2						✓	✓		80x80	2	2	4	+/-0,05	6000	FANUC	LR Mate 200 iD	4-7	19.27
																KAWASAKI	RS003N; RS005N; RS005L; RS007N; RS007L	3-7	20-37
																KUKA	Agilus Serie KR3; KR6; KR10	3-10	26-57
																UNIVERSAL ROBOTS	UR3/3e; UR5/5e; UR10/10e	3-10	11-34
																STÄUBLI	TX2-40; TX2-60/-L; TX40; TX60/-L	2-4.5	29-53
																MITSUBISHI	RV-2FR; RV-2FRL; RV-4FR; RV-4FRL; RV-7FR; RV-7FRL; RV-7FRL	3-7	19-130
																COMAU	Racer-5-0.63; Racer-5-0.80; Racer-3-0.63;	3-5	30-32
	NACHI	MZ07-01; MZ07L-01; MZ07P-01; MZ07LP-01;	7	30-32															
	ABB	IRB 120; IRB 140; IRB 1100; IRB 1200;	3-6	20.5-98															
	SEV280-1						✓	✓	✓	170x280	1	2	4	+/-0,05	46000	YASKAWA	MH12/-F; GP12	12	130-150
																FANUC	ARC Mate 100iC/12; M-10iA/10M; M-10iA/12; M-10iD 12	10-12	1420-1441
																KAWASAKI	RS010N; RS006L	6-10	150
																KUKA	KR6 – KR10 CYBERTECH nano; KR6 – KR8 CYBERTECH ARC nano	6-10	145-180
STÄUBLI																TX90; TX90L; TX90XL; TX2-90; TX2-90L; TX2-90XL	7-14	111-119	
MITSUBISHI																RV13FR(-L); RV20FR	13-20	120-130	
COMAU																Racer 7-1.0; Racer-7-1.4; SIX-6-1.4	6-7	160-180	
NACHI	NB04; NV06;	10	160-170																
SEV170-2						✓	✓	✓	170x120	2	2	4	+/-0,05	46000	YASKAWA	GP25; GP25-12; HP20F/-RD 2	12-25	250-268	
															FANUC	M-20iA; M-20iA/20M; ARC Mate 120C; M-20iB/25; M-20iB/25C; M-20iA/35M	20-25	210-250	
															KAWASAKI	RS020N; RS010L	10-20	230	
															KUKA	KR CYBERTECH / KR CYBERTECH arc	8-22	250-270	
															STÄUBLI	RX160; RX160HD; RX160L;	14-20	248-250	
															NACHI	MC10L; MC20; MR20-02; MR20L-01; NB04L; NV06L	10-20	220-280	
															ABB	IRB 1600; IRB 1660ID; IRB 2600-12/-20; IRB 2600ID-8/-15;	4-20	250-284	
SEV220-2						✓	✓	✓	220x120	2	2	4	+/-0,05	46000	FANUC	M-710 all types*2	12-70	410-570	
															KAWASAKI	RS030N; RS050N; RS080N, RS15X	30-80	555	
															KUKA	KR 30 and KR 60 - all types*2	16-60	600-700	
															COMAU	NS-12-1.85; NS-16-1.65; NJ-16-3.1; NJ-40-2.5; NJ-60-2.2	12-60	333-680	
															NACHI	MC35-01; MC50-01; MC70-01	35-70	640	
															ABB	IRB 2400; IRB 4600; IRB 6620LX;	10-150	380-610	
SEV280-2						✓	✓	✓	280x170	2	2	2	+/-0,05	46000	ABB	IRB460	110	925	
															FANUC	M-710 all types	12-70	410-570	
															ABB	IRB460, IRB6620	110-150	900-925	
SEV360-2						✓	✓	✓	360x200	2	2	2	+/-0,05	46000	FANUC	R2000 all types	165	1090	
															KUKA	KR 120, 150, 180, 210, 240, 270, 300	120-300	677-1154	
															COMAU	NJ130 2.6	130	1050	
															STÄUBLI	TX200L	80	1000	

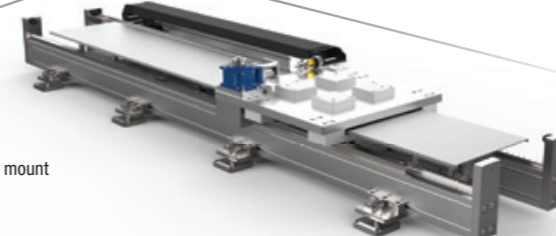
The data shown must be verified on the basis of the application.

*1 Robot examples mentioned are approximate and refer to floor mounted version. For a correct choice and size of the robot please contact our technical department.

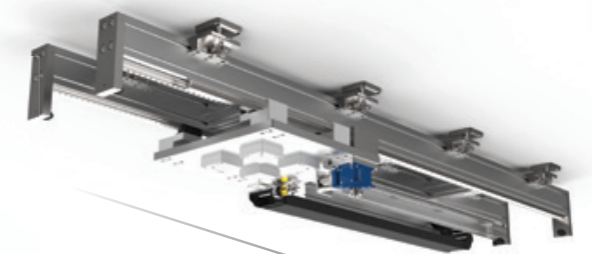
*2 For linear movement up to V max = 2 m/s and A max = 2m/s².



Wall mount



Floor mount



Ceiling mount



● Rollon Branches & Rep. Offices
● Distributors

EUROPE

ROLLON S.p.A. - ITALY (Headquarters) ▼

Via Trieste 26
I-20871 Vimercate (MB)
Phone: (+39) 039 62 59 1
www.rollon.it - infocom@rollon.it

ROLLON GmbH - GERMANY ▼

Bonner Strasse 317-319
D-40589 Düsseldorf
Phone: (+49) 211 95 747 0
www.rollon.de - info@rollon.de

ROLLON S.A.R.L. - FRANCE ▼

Les Jardins d'Eole, 2 allée des Séquoias
F-69760 Limonest
Phone: (+33) (0) 4 74 71 93 30
www.rollon.fr - infocom@rollon.fr

ROLLON B.V. - NETHERLANDS ▼

Ringbaan Zuid 8
6905 DB Zevenaar
Phone: (+31) 316 581 999
www.rollon.nl - info@rollon.nl

ROLLON S.p.A. - RUSSIA (Rep. Office) ▼

117105, Moscow, Varshavskoye
shosse 17, building 1
Phone: +7 (495) 508-10-70
www.rollon.ru - info@rollon.ru

ROLLON Ltd - UK (Rep. Office) ▼

The Works 6 West Street Olney
Buckinghamshire, United Kingdom, MK46 5 HR
Phone: +44 (0) 1234964024
www.rollon.uk.com - info@rollon.uk.com

AMERICA

ROLLON Corporation - USA ▼

101 Bilby Road. Suite B
Hackettstown, NJ 07840
Phone: (+1) 973 300 5492
www.rolloncorp.com - info@rolloncorp.com

ROLLON - SOUTH AMERICA (Rep. Office) ▼

R. Joaquim Floriano, 397, 2o. andar
Itaim Bibi - 04534-011, São Paulo, BRASIL
Phone: +55 (11) 3198 3645
www.rollonbrasil.com.br - info@rollonbrasil.com

ASIA

ROLLON Ltd - CHINA ▼

No. 1155 Pang Jin Road,
China, Suzhou, 215200
Phone: +86 0512 6392 1625
www.rollon.cn.com - info@rollon.cn.com

ROLLON India Pvt. Ltd. - INDIA ▼

1st floor, Regus Gem Business Centre, 26/1
Hosur Road, Bommanahalli, Bangalore 560068
Phone: (+91) 80 67027066
www.rollonindia.in - info@rollonindia.in

ROLLON - JAPAN ▼

3F Shiodome Building, 1-2-20 Kaigan, Minato-ku,
Tokyo 105-0022 Japan
Phone +81 3 6721 8487
www.rollon.jp - info@rollon.jp

Consult the other ranges of products



Distributor

www.linejnye.ru
e-mail: linejnye@mail.ru
Тел. +7 (499) 703-15-70
Москва

All addresses of our global sales partners can also be found at www.rollon.com

The content of this document and its use are subject to the general terms of sale of ROLLON available on the web site www.rollon.com
Changes and errors expected. The text and images may be used only with our permission.