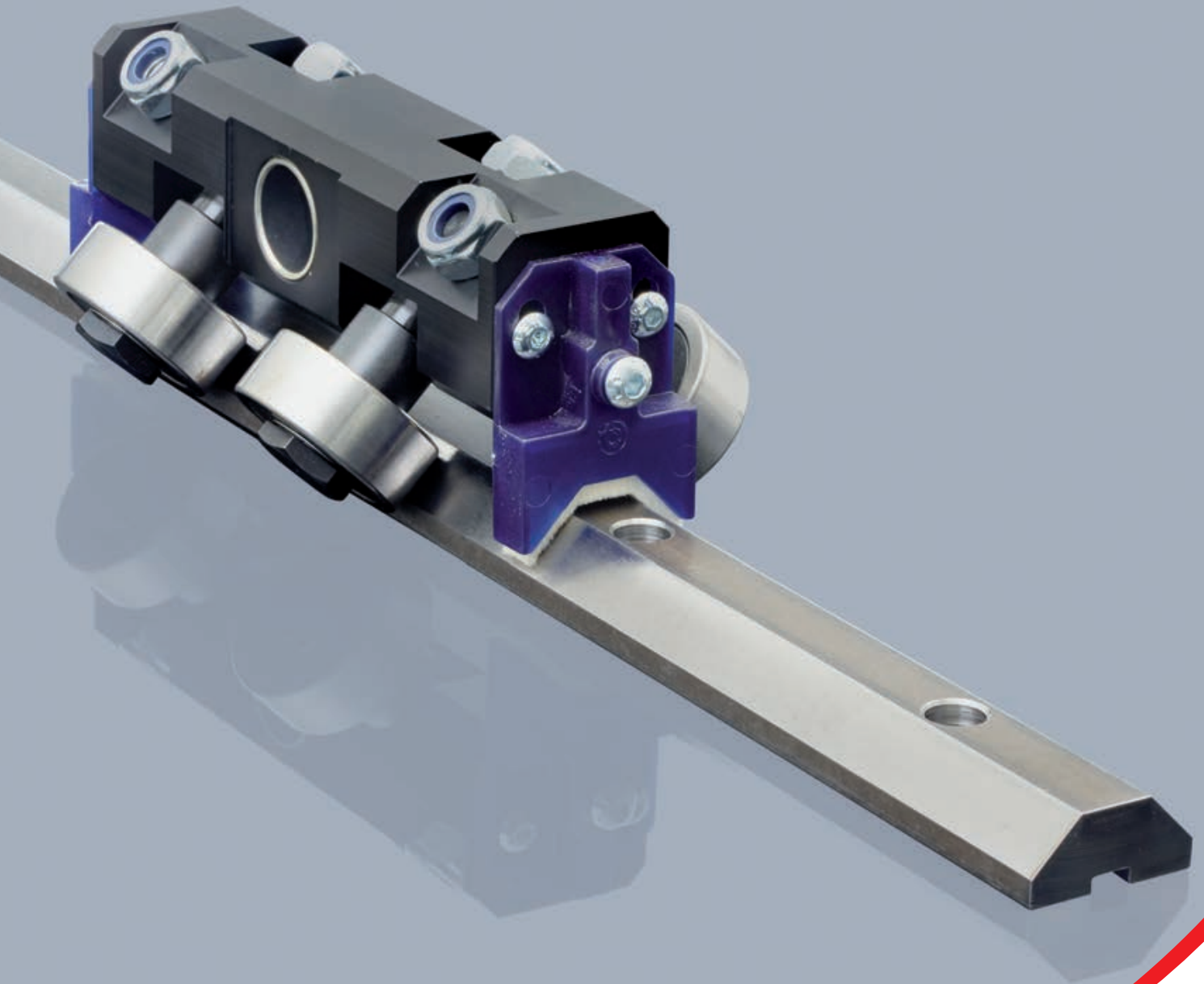


ROLLON[®]
BY TIMKEN

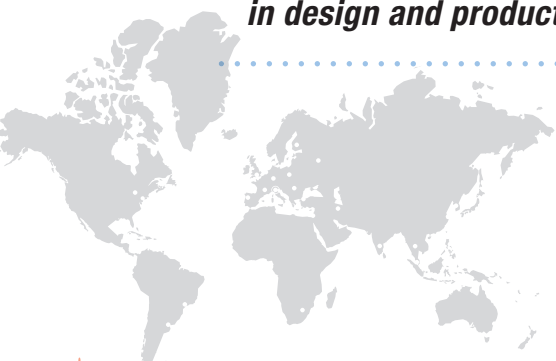
Prismatic Rail



We design and produce in order to support you

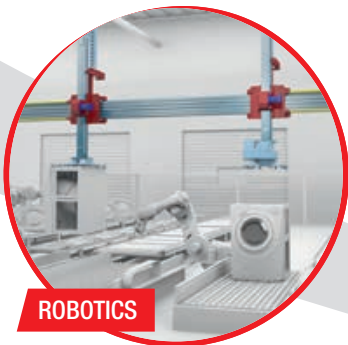
*An international group
for technology,
a local support for service*

*Over 40 years of know how
in design and production*

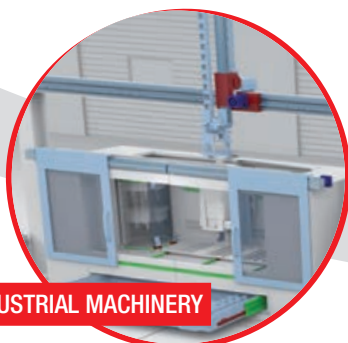


Values

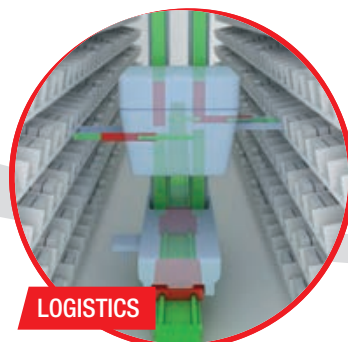
Applications



ROBOTICS



INDUSTRIAL MACHINERY



LOGISTICS



RAILWAY



Collaboration

High level technical consulting

Cross competences in several industrial sectors for an effective problem-solving

Solutions

From a full range of standard products to fit-to-customer solutions for best performances



AERONAUTICS



SPECIAL VEHICLES



MEDICAL



INTERIORS AND ARCHITECTURE

A complete range for linear motion which reaches every customer



Linear and curved guides with ball and roller bearings, with hardened raceways, high load capacities, self-alignment and capable of working in dirty environments.

Linear Line



Telescopic Line

Telescopic guides with ball bearings, with hardened raceways, high load capacities, and low bending, resistant to shocks and vibrations. For partial, total or extended extraction up to 200% of the length of the guide.



Actuator Line

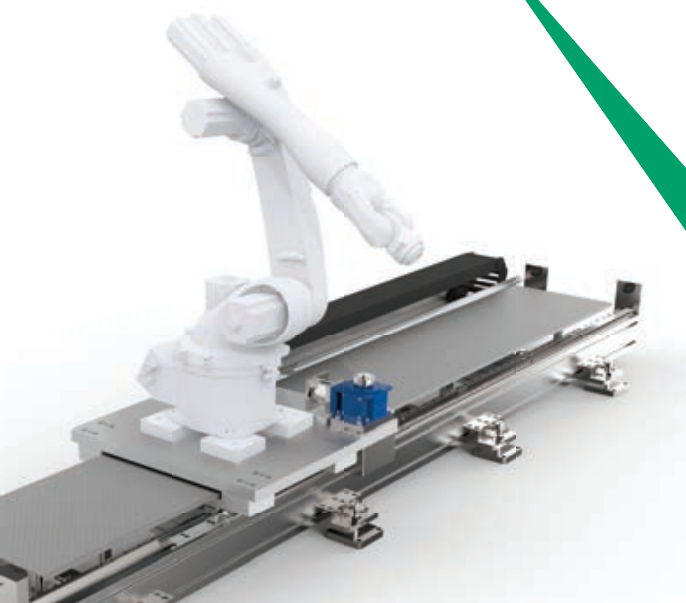
Linear actuators with different guide configurations and drives, available with belt, screw or rack and pinion drives according to different needs in terms of precision and speed. Guides with bearings or ball recirculating systems for different load capacities and critical environments.

*A global provider
of solutions
for applications
for linear motion*



Actuator System Line

Integrated actuators for industrial automation, they find applications in numerous industrial sectors: from machinery servo systems to high precision assembly systems, packaging lines and high speed production lines. It has evolved from Actuator Line series in order to meet the most demanding needs of our customers.



> Prismatic Rail



1 Product explanation

Prismatic Rail: with cylindrical or V-shaped rollers PR-2

2 Technical data

Performance characteristics and Notes PR-4

3 Product dimensions

Steel V-shaped rails, Machining: drilled guide rails with straight cut PR-5

Machining: drilled guide rails with 1 bevel and 1 slanting cut, PR-6

Machining: drilled guide rails with 2 slanting cuts PR-6

Roller slides, Tilting roller slides with 4 rollers Ø30 for V-shaped guide rails 28.6x11 PR-7

3-Roller slides Ø 40 for V-shaped guide rails 35x16

Tilting roller slides with 4 rollers Ø40 for V-shaped guide rails 35x16 PR-8

Fixed 4-roller slide Ø40 for V-shaped guide rails V 35x16 PR-9

E type roller slides (roller Ø52) and F type (roller Ø62) for V-shaped guide rails 55x25 PR-10

Type G roller slides (roller Ø52) and H type (roller Ø62) for V-shaped guide rails 55x25 PR-11

I-type roller slides (roller Ø52) and L-type (roller Ø62) for V-shaped guide rails V 55x25 PR-12

P-type roller slides (rollers Ø52) and Q-type (rollers Ø62) for V-shaped guide rails 55x25 PR-13

4 Accessories

V-shaped rollers (Guide Rails 28.6 x 11) anti-oxidized version,

V-shaped rollers [rails 35 x 16] integrale PR-14

Spare roller with stud PR-15

Assembly Pins, Type 0 assembly pins suitable for roller slide Ø30 and Ø40 PR-16

Type 7 assembly pins suitable for roller slide E-F,

Assembly pins type 8 suitable for carriage E-F PR-17

Type 9 assembly pins suitable for tilting roller slides G-H / I-L,

Type 10-11-12 assembly pins suitable for tilting roller slides P-Q PR-18

V-shaped guide rail assembly inserts PR-19

5 Technical instructions

Rollers and V-shaped guide rails 28.6x11 and 35x16, Application diagram common to 2-roller slides, Application diagram common to 3-roller slides PR-20

Ordering key

Identification codes for roller slides and pins PR-21

Assembly of standard carriages / K version carriages PR-22

Product explanation



> Prismatic Rail: with cylindrical or V-shaped rollers

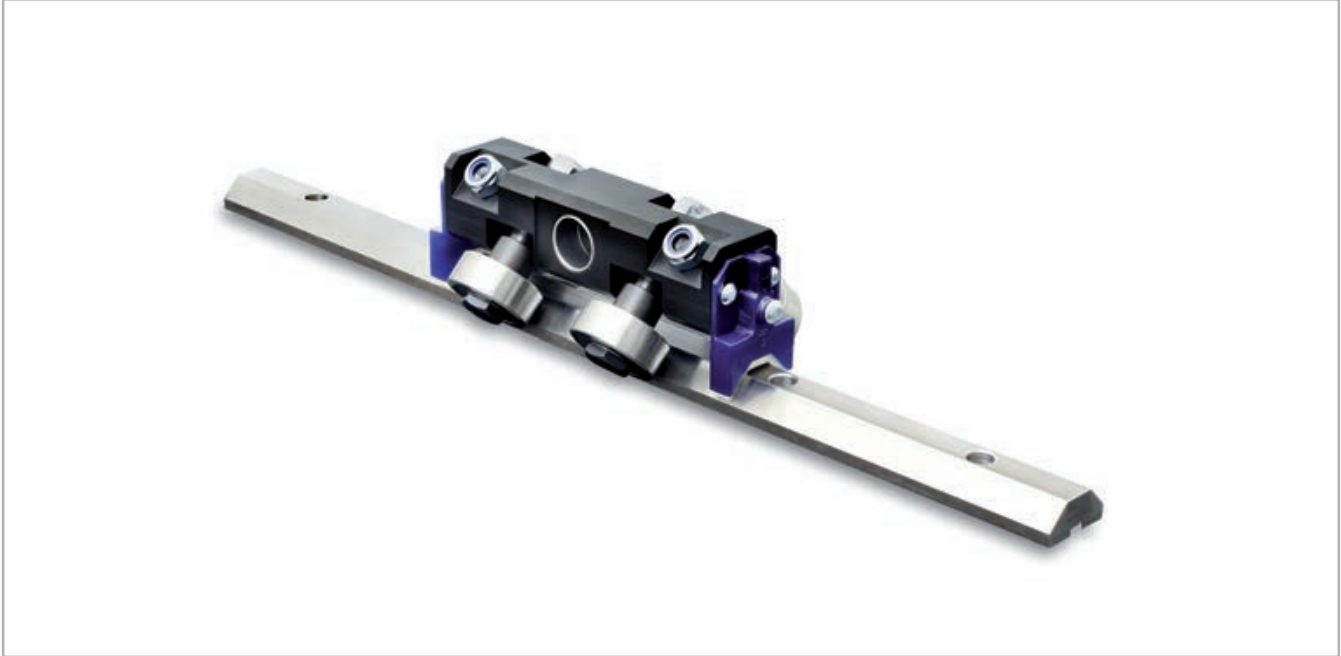


Fig. 1

The Prismatic Rail product family is composed of roller sliders sliding on V-shaped rails made of hardened steel. These linear guides also have high self-alignment properties.

V-shaped rails are induction hardened and polished, available in three sizes: 28, 35 and 55 mm. Rails can be machined with two straight cuts, one straight and one slanting cut or two slanting cuts. These options allow to create joinable versions, and thus obtaining longer strokes.

The aluminium slider can be configured with a variable number of rollers with steel pins, ranging from 3 to 6. Rollers are in turn available in two variants, cylindrical or V-shaped, with variable diameter from $\varnothing 30$ a $\varnothing 62$ depending on rail size.

Preferred areas of application:

- Robot and handling systems
- Industrial automation
- Logistics
- Packaging machines

The most important characteristics:

- Long life thanks to hardened raceways
- Optimal reliability in dirty environments
- Self-aligning system
- Simple mounting
- High dynamics

Drilled guide rails with straight cut:

Machining provided for guide rails with no joint.



Fig. 2

Drilled guide rails with one straight and one slanting cut:

Machining provided for the crop down sizes of guide rail ends with joints.



Fig. 3

Drilled guide rails with 2 slanting cuts:

Machining provided for the intermediate crop down sizes of guide rail ends with multiple joints.



Fig. 4

Sliders with rollers Ø30 - Ø40:

Floating and fixed sliders with rollers Ø30 (guide size 28) and Ø40 (guide size 35).



Fig. 5

Sliders with rollers Ø52- Ø62:

Floating and fixed sliders with rollers Ø52 and Ø62 (guide size 55).



Fig. 6

Assembly pins:

Steel pins.



Fig. 7

Technical data



Fig. 8

Performance characteristics:

- Sizes available: 28,35 and 55 mm.
- Rollers dimensions: Ø30 - Ø40 - Ø52 - Ø62.
- V-shaped rollers in hardened C45 steel available for sizes 28 and 35.
- Aluminum sliders, floating and fixed, with 3, 4 or 6 rollers.
- Max. speed: 7 m/s (depending on application).
- Max. acceleration: 20 m/s² (depending on application).
- Max. radial load capacity: 15000 (per slider).
- Max. axial load capacity: 15000 (per slider).
- Operating temperature: from -10°C to +80°C.
- Induction hardened and polished rails.
- Max. rail length: 4100 mm.
- Steel assembly pins.

Notes:

- V-shaped roller with plastic compound shell are available upon request.
- Stainless steel pins and special variants are available upon request.
- Longer stroke achievable with joinable versions.
- V-shaped rails available in drilled or non-drilled versions.
- Please follow the diagrams in every slider section to ensure correct assembly.
- For applications with high projecting loads, the sliders' rollers must be adjusted so that the load is supported by the maximum possible number of them.

Product dimensions

> Steel V-shaped rails

Material: high-performance alloy steel: $R > 900$ MPa
 Hardened and tempered: core hardness 240 HB.

Induction-hardened and polished. Track hardness > 58 HRC
 Guide rail 28.6x11 code 203.0012 has anti-oxidation coating.



Fig. 9

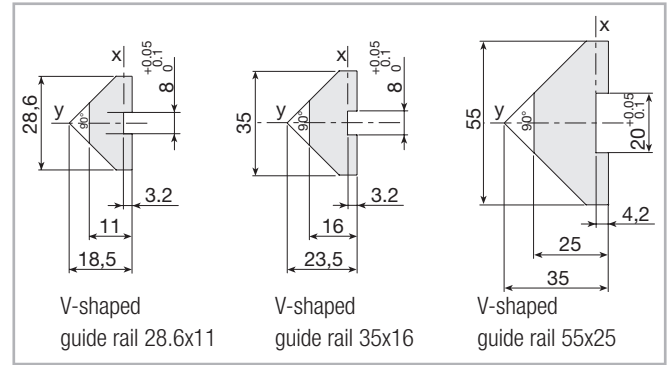


Fig. 10

Features	Moment of inertia Ix [mm ⁴]	Moment of inertia Iy [mm ⁴]	Weight [Kg/m]
28,6x11	2148	14490	2
35x16	7932	36405	3,5
55x25	41906	194636	7,8

Tab. 1

> Machining: drilled guide rails with straight cut

P_ _ -.....F V-shaped guide rails, length L, drilled



Fig. 11

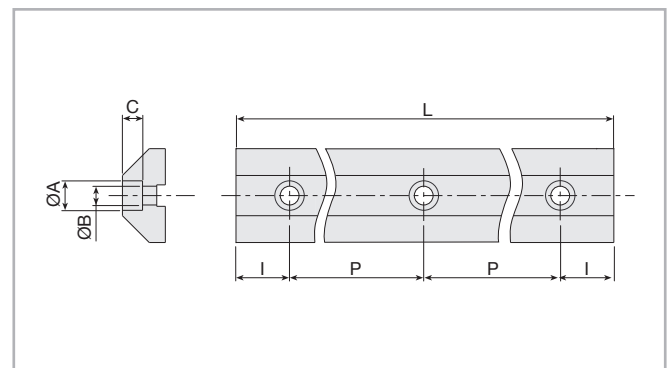


Fig. 12

Size	Treatment	L. max [mm]	P [mm]	I [mm]	A [mm]	B [mm]	C [mm]	Code
28,6x11	hardened anti-oxidation	3980	150	40	11	7	5	P28...
35x16	Induction-hardened	4100	100	50	11	7	7,5	P35...
55x25	Induction-hardened	4100	150	25	18	11	11,5	P55...

Tab. 2

> Machining: drilled guide rails with 1 straight and 1 slanting cut

P__ -.....FX V-shaped guide rails with 1 slanting cut, length L, drilled



Fig. 13

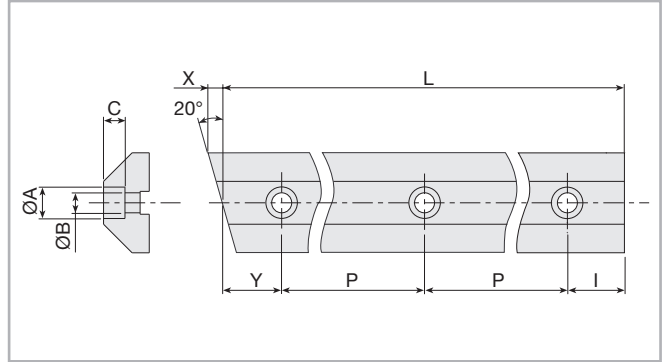


Fig. 14

Size	Treatment	L. max [mm]	P [mm]	Y [mm]	I [mm]	A [mm]	B [mm]	C [mm]	Code
28,6x11	hardened anti-oxidation	3700	150	50	50	11	7	5	P28...
35x16	Induction-hardened	4000	100	50	50	11	7	7,5	P35...
55x25	Induction-hardened	3950	150	25	25	18	11	11,5	P55...

Tab. 3

> Machining: drilled guide rails with 2 slanting cuts

P__ -.....FXX V-shaped guide rails with 2 slanting cuts, length L, drilled



Fig. 15

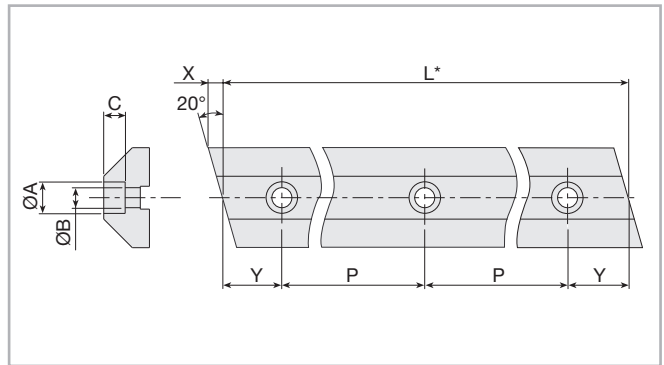


Fig. 16

*in order to maintain a constant hole pitch, arrange the guide rails so that the length "L" is equal to: $n \cdot P + 2 \cdot Y$

Size	Treatment	L. max [mm]	P [mm]	Y [mm]	A [mm]	B [mm]	C [mm]	Code
28,6x11	hardened anti-oxidation	3700	150	50	11	7	5	P28...
35x16	Induction-hardened	3900	100	50	11	7	7,5	P35...
55x25	Induction-hardened	3950	150	25	18	11	11,5	P55...

Tab. 4

> Roller slides

Ø40 roller slides with 3 rollers, aluminium alloy castings (Rs=280 N/mm²). Ø30, Ø40, Ø52 and Ø62 roller slides with 4 or 6 rollers, extruded aluminium alloy (Rs=310 N/mm²). Alloy steel pins (Rs=800 N/mm²)
 Rollers with double rows of angular contact ball bearings, long-life.

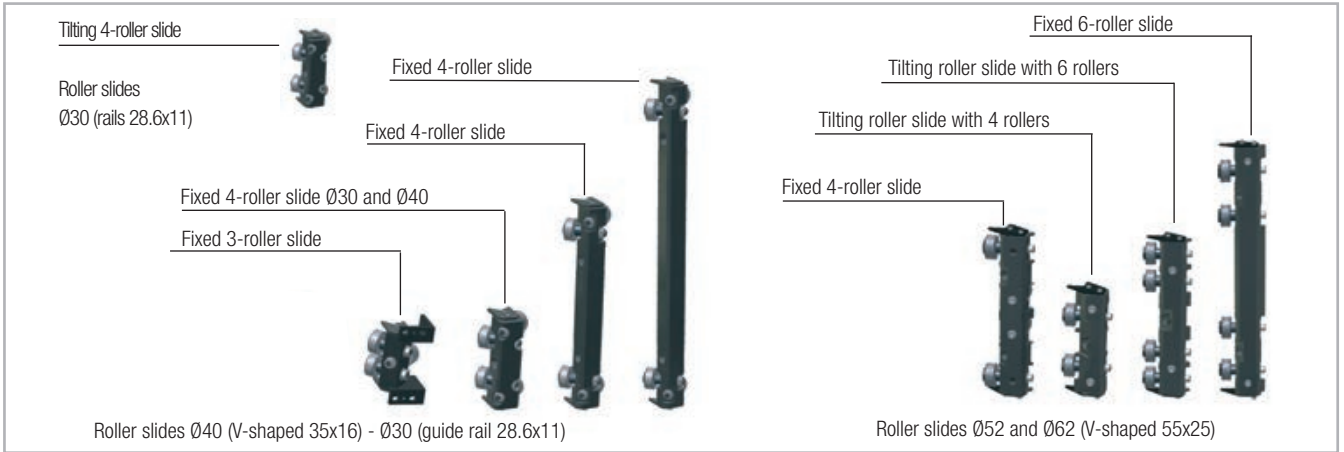


Fig. 17

> Tilting roller slides with 4 rollers Ø30 for V-shaped guide rails 28x11

Use the roller slide eccentric pin to adjust the backlash along the plane between the guide rails.



Important: remove the space washers to enable self-alignment of the roller slide Fig. 18

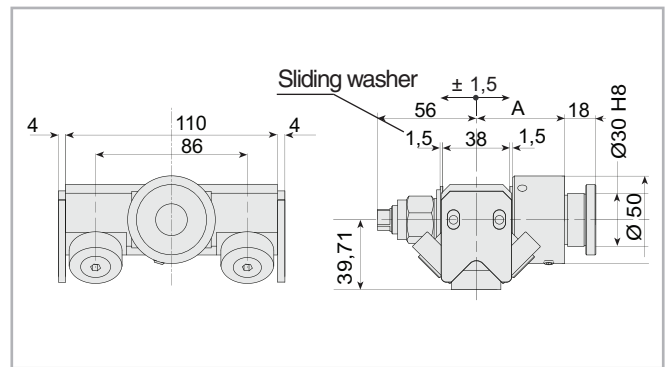


Fig. 19

	A [mm]	Load capacity C _{0rad} [N]	Weight [Kg]	Code
Roller slide with concentric pin	75	3818	1,8	204.0052
Roller slide with excentric pin (±1 mm)	75	3818	1,8	204.0053
Roller slide with concentric pin	50	3818	1,4	204.0054
Roller slide with excentric pin (±1 mm)	50	3818	1,4	204.0055

Tab. 5

Spare parts	A [mm]	Code
Complete body with rollers		204.0050
Concentric pin	75	236.0010
Excentric pin (±1 mm)	75	236.0011
Concentric pin	50	236.0014
Excentric pin (±1 mm)	50	236.0015

Tab. 6

> 3-Roller slides Ø 40 for V-shaped guide rails 35x16

Please follow the diagrams below to ensure correct assembly. To make up for tolerances in the profile shapes, use pins to lock carriages with

eccentric rollers after placing them in the appropriate position. (With the eccentric pins in the neutral position).

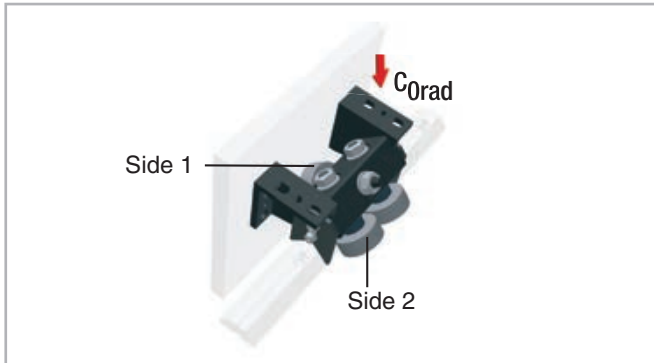


Fig. 20

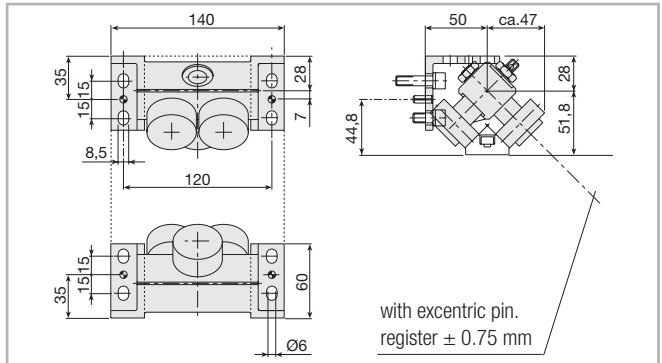


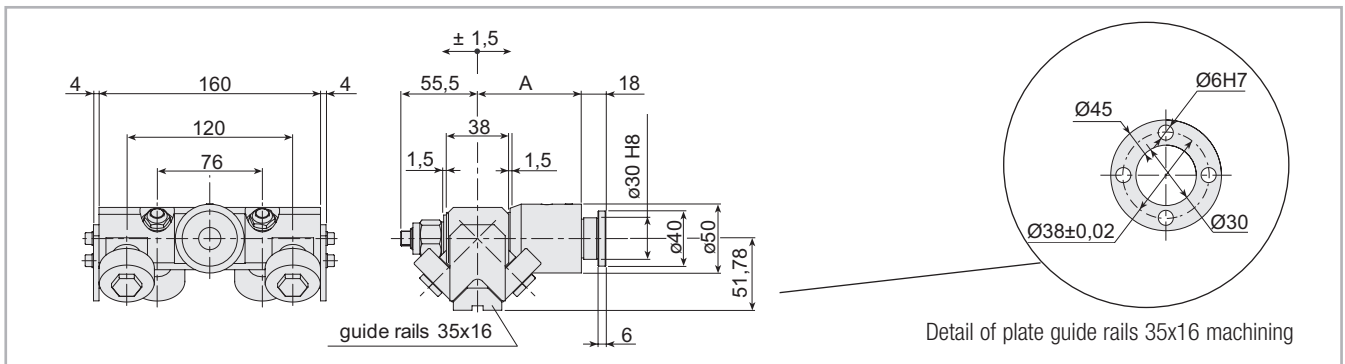
Fig. 21

Rollers side 1	Rollers side 2	Specification	Load capacity C _{0rad} [N]	Weight [Kg]	Code
1 concentric	2 concentric	3-rollers carriage Ø40 - concentric	3535	1,3	204.1579
1 eccentric	2 concentric	3-rollers carriage Ø40 - 1 exc. side 1	3535	1,3	204.0474
2 concentric	1 concentric	3-rollers carriage Ø40 - concentric	3535	1,3	204.2302
2 concentric	1 eccentric	3-rollers carriage Ø40 - 1 exc. side 2	3535	1,3	204.0475

Tab. 7

> Tilting roller slides with 4 rollers Ø40 for V-shaped guide rails 35x16

Use the roller slide eccentric pin to adjust the backlash along the plane between the guide rails.tino.



Important: remove the spacer washers to enable self-alignment of the roller slide

Fig. 22

	A [mm]	Load capacity C _{0rad} [N]	Weight [Kg]	Code
Slide with eccentric pin (±1 mm)	75	7071	2,2	204.0016
Slide with eccentric pin (±1 mm)	50	7071	1,8	204.0033

Tab. 8

Spare parts	A [mm]	Code
Complete body with rollers		204.0013
Eccentric pin (±1 mm)	75	236.0011
Eccentric pin (±1 mm)	75	236.0015

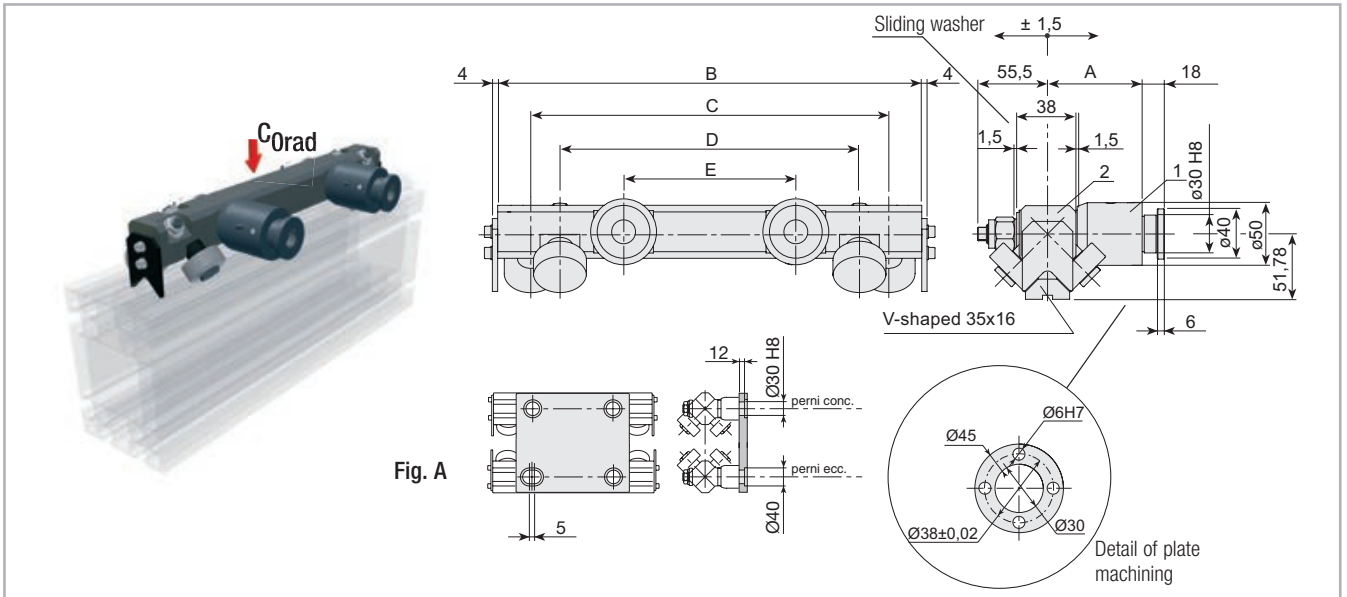
Tab. 9

All pins are eccentric, but are made concentric by inserting the pin in the specific hole on the plate, in order to determine the required preload.

> Fixed 4-roller slide Ø40 for V-shaped guide rails V 35x16

Use the roller slide eccentric pin to adjust the backlash along the plane between the guide rails.

Important: machine the pin clamping plate as shown in Fig. A



Important: remove the space washers to enable self-alignment of the roller slide sliding washers

Fig. 23

	A [mm]	Load capacity C_{Orad} [N]	Code
R. slide L=370 complete with exc. pin (± 1 mm)	75	7071	204.0018
R. slide L=600 complete with exc. pin (± 1 mm)	75	7071	204.0028
R. slide L=370 complete with exc. pin (± 1 mm)	50	7071	204.0031
R. slide L=600 complete with exc. pin (± 1 mm)	50	7071	204.0035

Tab. 10

R. slide spare parts (2)	B [mm]	C [mm]	D [mm]	E [mm]	Code
Roller slide L= 370	370	320	276	180	204.0005
Roller slide L= 600	600	550	506	410	204.0026

Tab. 11

Pin spare parts (1)	A [mm]	Weight [Kg]	Codice
Eccentric pin (± 1 mm)	75	4.1	204.0011
Eccentric pin (± 1 mm)	50	3.5	204.0015

Tab. 12

> E type roller slides (roller Ø52) and F type (roller Ø62) for V-shaped guide rails 55x25

4-Stiff Rollers slide. Suitable for mounting pin: Type 7-8

Important: machine the pin clamping plate as shown in Fig. A

Use the roller slide eccentric pin to adjust the backlash along the plane between the guide rails.

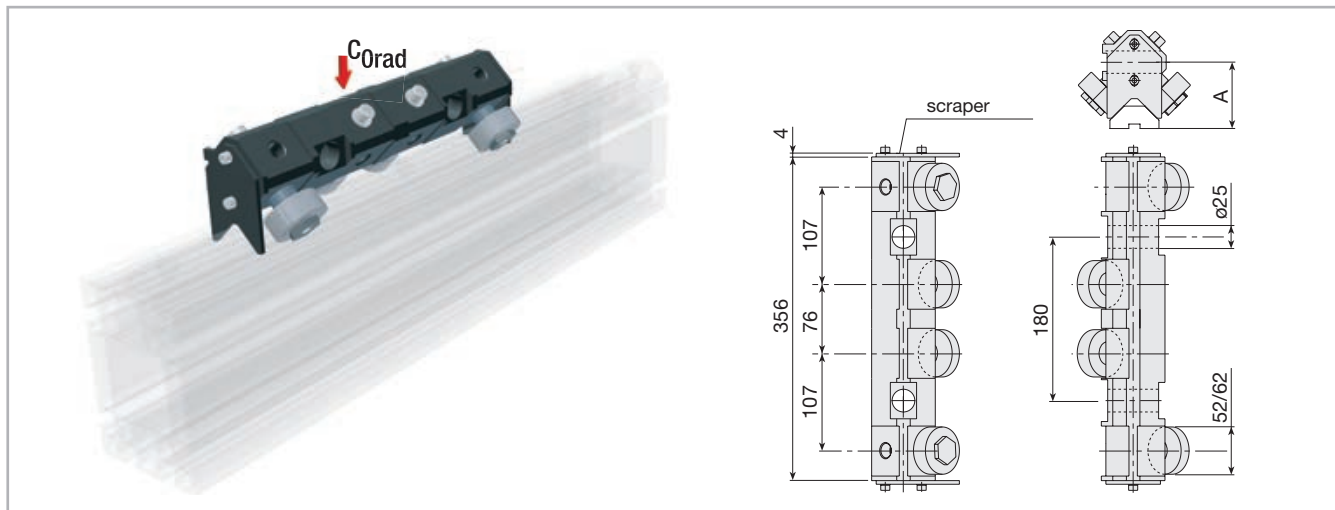


Fig. 24

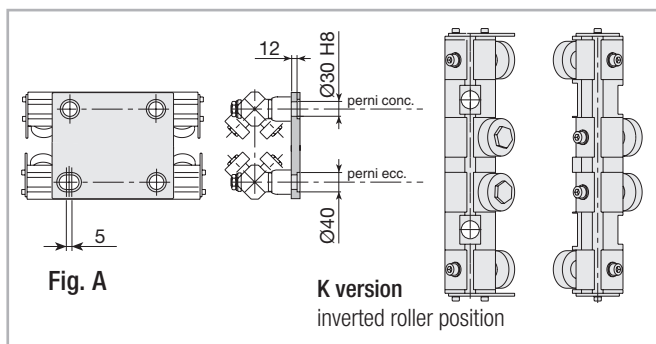


Fig. 25

Ø Rollers	A
Rollers Ø52	71,75
Rollers Ø62	78,85

Tab. 13

Technical characteristics	Ø52	Ø62
Load capacity [N]	12021	14991
N° rollers	4	4
Weight [Kg]	4,6	5,2
Spare parts code	204.1518	204.1519

Tab. 14

> **Type G roller slides (roller Ø52) and H type (roller Ø62) for V-shaped guide rails 55x25**

Tilting 4-roller slides Suitable for assembly pins: Type 9

Use the roller slide eccentric pin to adjust the backlash along the plane between the guide rails.

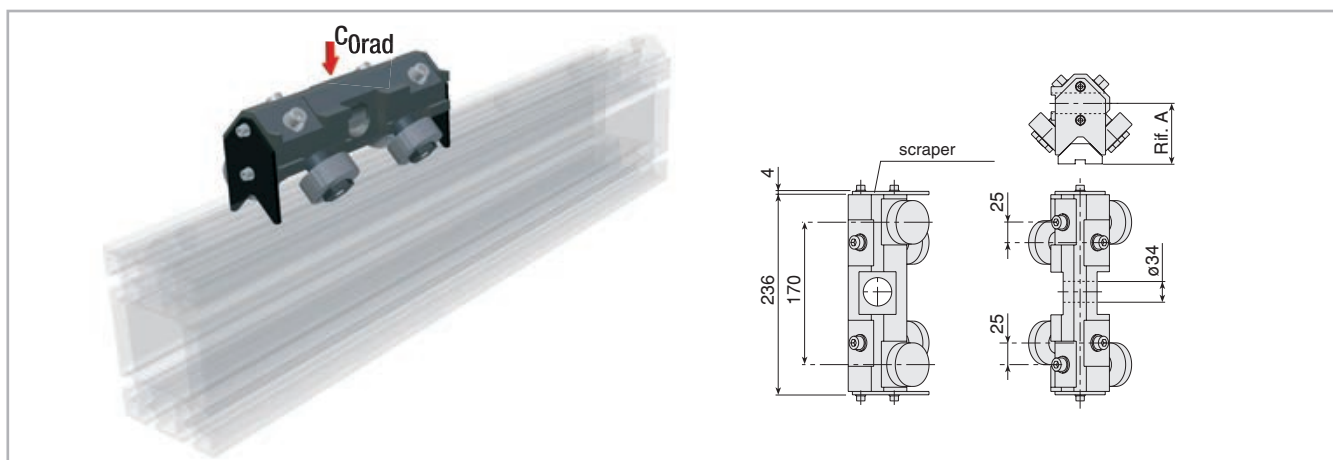


Fig. 26

Ø Rollers	A
Rollers Ø52	71,75
Rollers Ø62	78,85

Tab. 15

Technical characteristics	Ø52	Ø62
Load capacity [N]	12021	14991
N° roller	4	4
Weight [Kg]	3,2	3,8
Spare parts code	204.1520	204.1521

Tab. 16

> I-type roller slides (roller Ø52) and L-type (roller Ø62) for V-shaped guide rails V 55x25

Tilting 4-roller slides Suitable for assembly pins: Type 9

Use the roller slide eccentric pin to adjust the backlash along the plane between the guide rails.

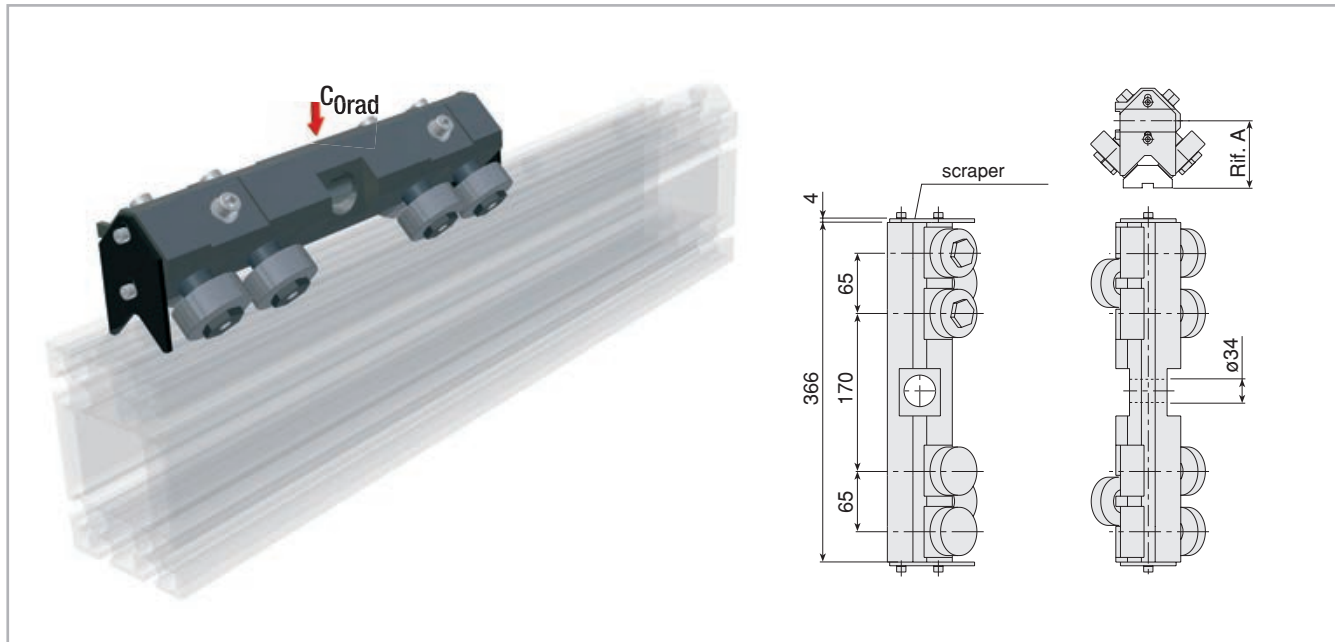


Fig. 27

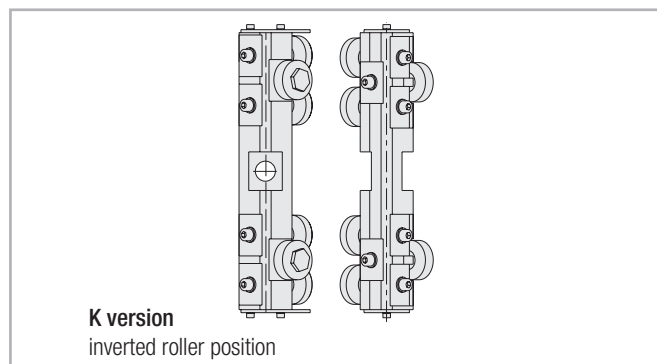


Fig. 28

Ø Roller	A
Roller Ø52	71,75
Roller Ø62	78,85

Tab. 17

Technical characteristics	Ø52	Ø62
Load capacity [N]	12021	14991
N° rollers	6	6
Weight [Kg]	4,9	5,9
Spare parts code	204.1522	204.1523

Tab. 18

> P-type roller slides (rollers Ø52) and Q-type (rollers Ø62) for V-shaped guide rails 55x25

Fixed 6-roller slides Suitable for assembly pins: Type 10-11-12

Use the roller slide eccentric pin to adjust the backlash along the plane between the guide rails.

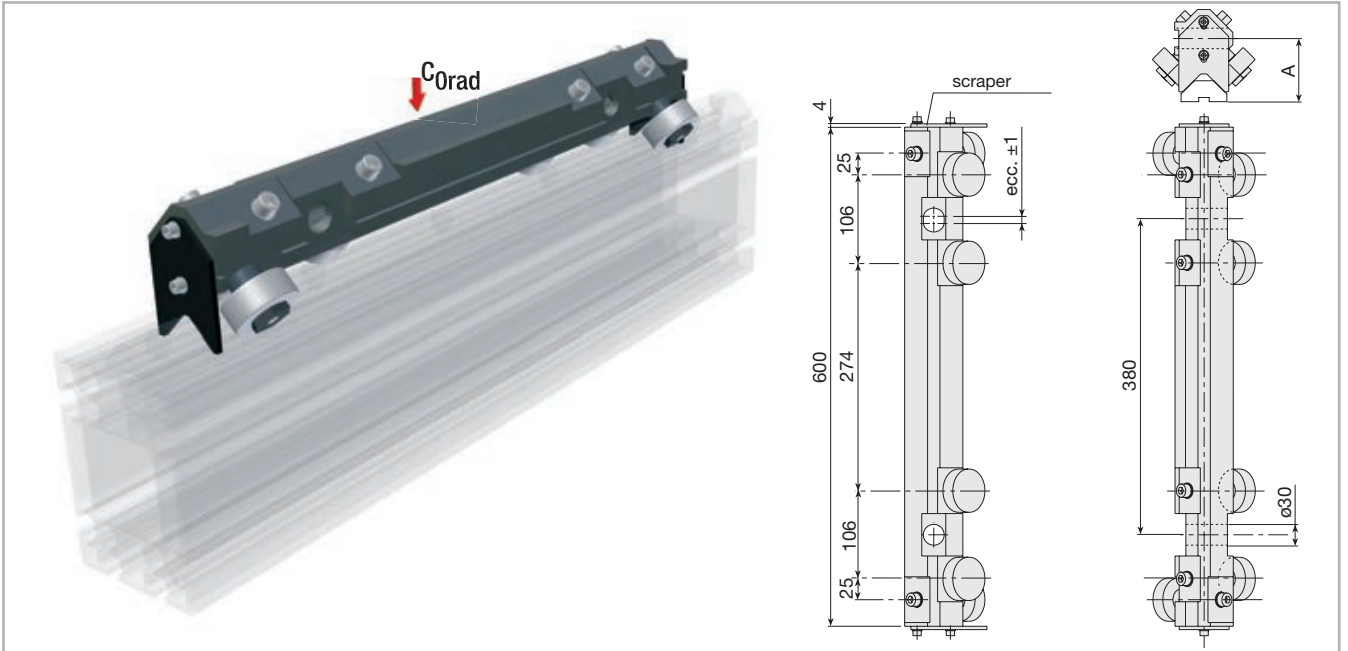


Fig. 29

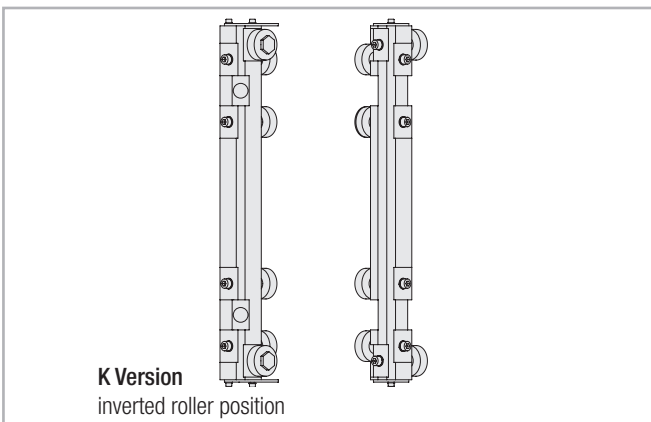


Fig. 30

Technical characteristics	Ø52	Ø62
Load capacity [N]	12021	14991
N° rollers	6	6
Weight [Kg]	4,9	5,9
Spare parts code	204.2086	204.2283

Tab. 19

Accessories



> V-shaped rollers (Guide Rails 28.6 x 11) anti-oxidized version

Shaped rollers with radial bearings with 2RS sealing (medium version).

* **IMPORTANT:** upon request, spacers can be supplied to increase the centre-distance between the guide rail and the roller supporting surface. In addition to the roller code, please indicate the required centre-distance (L), e.g. 205.0013.L



Fig. 31

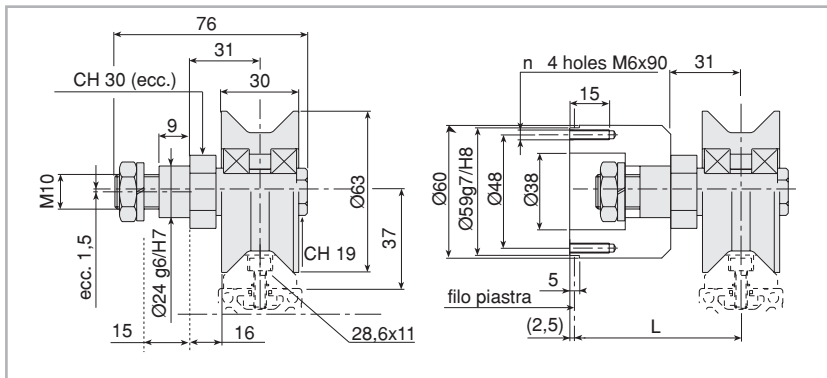


Fig. 32

Version	Type	Bearing	C (1cusc.)	Cw (2cusc.)	COw (2cusc.)	PR [N]	PA [N]	Speed [m/s]	Weight [Kg]	Code
Medium	Conc.	radial bearing	7800	9600	4800	1400	600	2,5	0,8	205.0013
Medium	Exc.	radial bearing	7800	9600	4800	1400	600	2,5	0,8	205.0014

Tab. 20

> V-shaped rollers [rails 35 x 16] integral

Shaped rollers with two rows of angular contact ball bearings. With bilateral sliding sealing rings. Accuracy class P6.

They support loads along the axis of the pin provided $P_a \text{ eff} < 0.4 P_r \text{ eff}$.

* **IMPORTANT:** upon request, spacers can be supplied to increase the centre-distance between the guide rail and the roller supporting surface. In addition to the roller code, please indicate the required centre-distance (L), e.g. 205.0011.L



Fig. 33

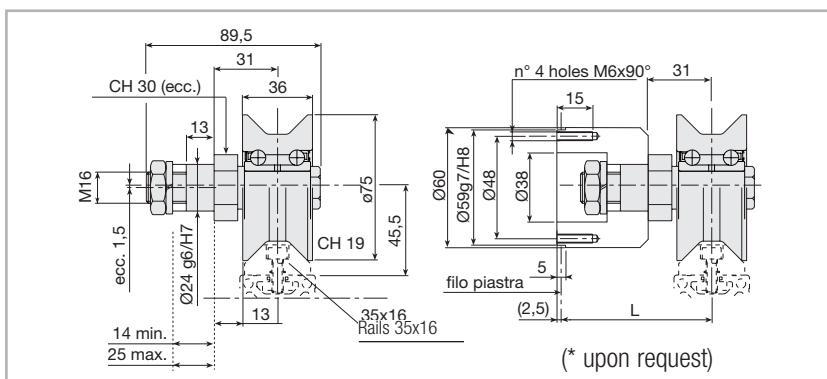


Fig. 34

Type	Bearing	C	COw (2cusc.)	PR [N]	PA [N]	Speed [m/s]	Weight [Kg]	Code
Conc.	angular contact	21000	13900	4500	1800	2,5	1	205.0011
Exc.	angular contact	21000	13900	4500	1800	2,5	1	205.0012

Tab. 21

> Spare roller with pin

Make sure that all the components are locked in place with the appropriate screws. The recommended tightening torque for pin locking screws and nuts is 50 Nm.

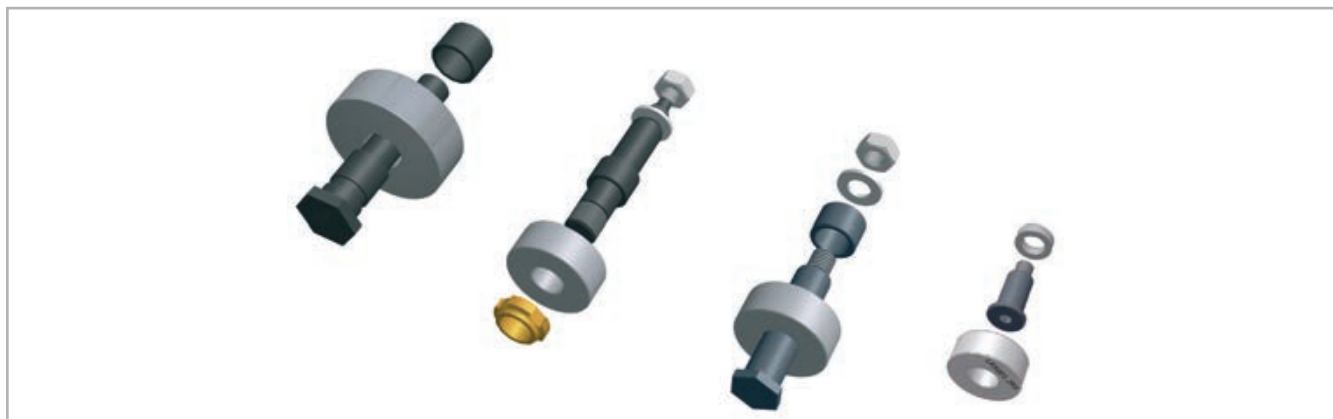


Fig. 35

Max. load factors for induction-hardened guides

Roller	Cw [N]	C0w [N]	Fr amm. [N]	V max.
Ø30	5100	3100	1350	7 m/s
Ø40	10000	7000	2500	7 m/s
Ø52	16700	10700	4250	6 m/s
Ø62	21500	14500	5300	5 m/s

Tab. 22

Spare roller with pin	Weight [Kg]	Code
Ø30 Concentric	0,02	406.0056
Ø40 Concentric	0,22	205.0463
Ø40 Excentric (± 0.75 mm)	0,25	205.0163
Ø52 Concentric	0,4	205.0163
Ø62 Concentric	0,55	205.0165

Tab. 23

> Assembly Pins

Material: burnished steel ($R_s=800$ N/mm²). Special variants upon request. 8-9 are complete with self-lubricating bushings to make roller slide self-adjustments easier.
 AISI 303 stainless steel versions are available upon request. Types 0-7-

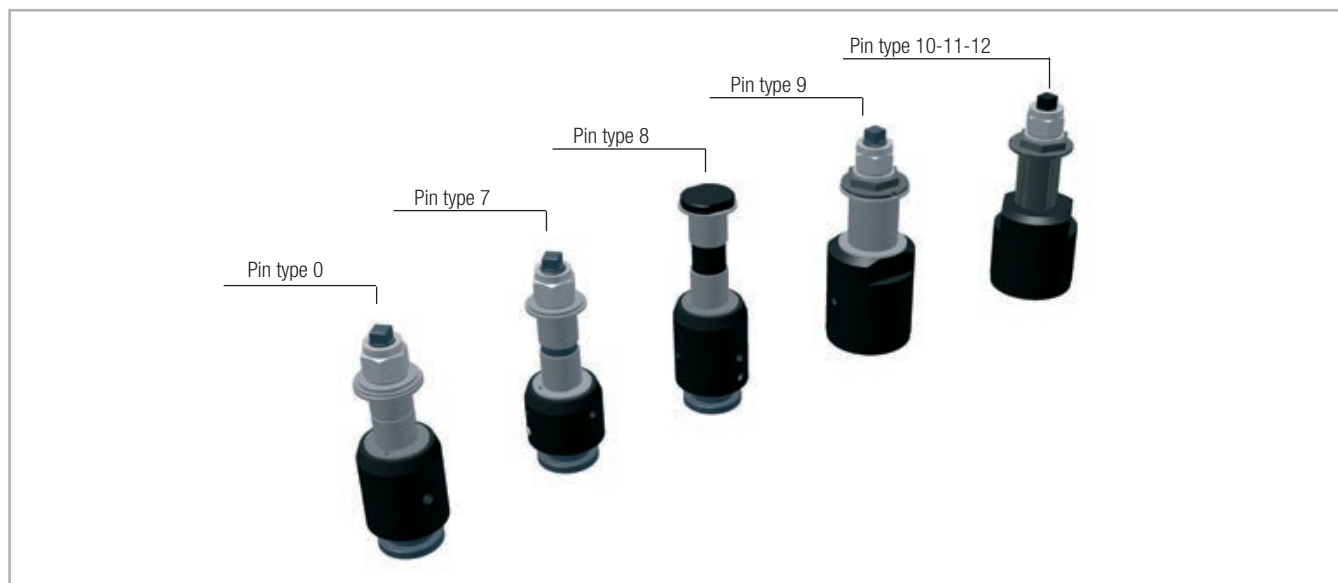


Fig. 36

> Type 0 assembly pins suitable for roller slide Ø30 and Ø40

* **Important:** machine the pin clamping plate as shown in Fig. A

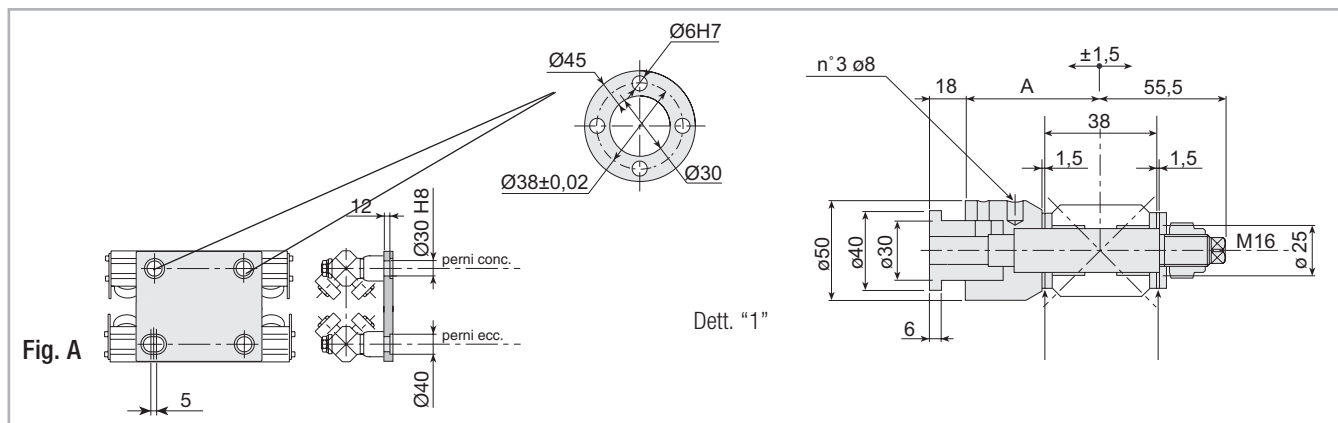


Fig. 37



Fig. 38

Important: remove the spacer washers to enable self-alignment of the roller slide

Technical characteristics	A [mm]	
Weight [Kg]		1,1 approx.
Eccentric code ($\pm 0,75$ mm)	75	236.0011
Eccentric code ($\pm 0,75$ mm)	50	236.0015

Tab. 24

> Type 7 assembly pins suitable for roller slide E-F

* Important: machine the pin clamping plate as shown in Fig. A

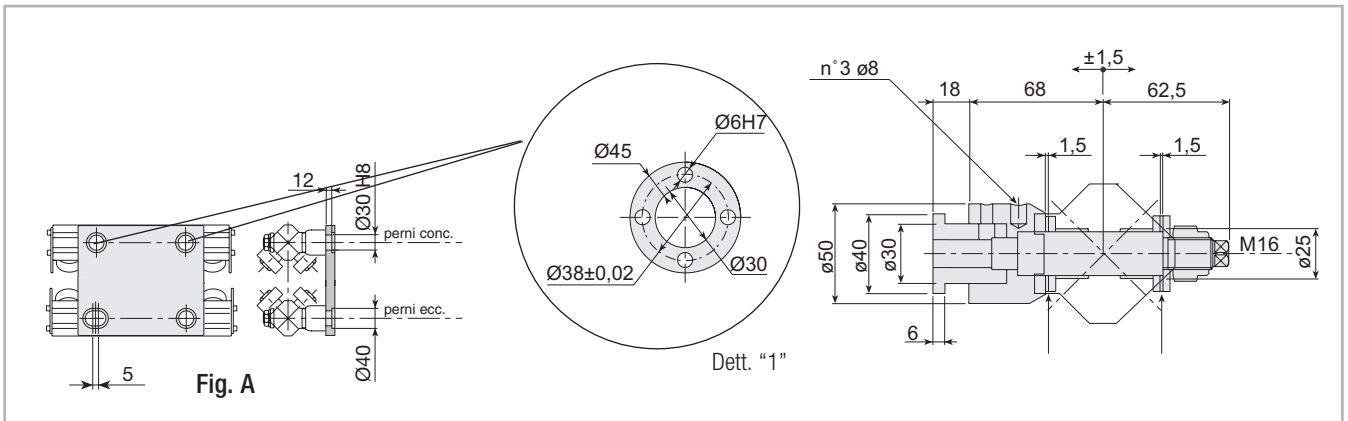


Fig. 39



Fig. 40

Important: remove the spacer washers to enable self-alignment of the roller slide

Technical characteristics	
Weight [Kg]	1,1 circa
Eccentric code (± 1 mm)	236.1689

Tab. 25

> Assembly pins type 8 suitable for carriage E-F

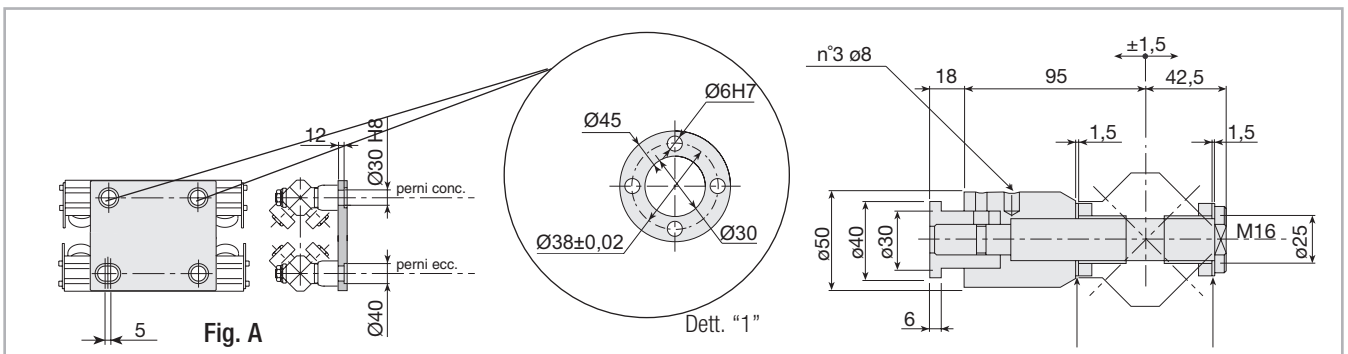


Fig. 41



Fig. 42

Important: remove the spacer washers to enable self-alignment of the roller slide

Technical characteristics	
Weight [Kg]	1,8 approx.
Eccentric code (± 1 mm)	236.1691

Tab. 26

> Type 9 assembly pins suitable for tilting roller slides G-H / I-L



Fig. 43

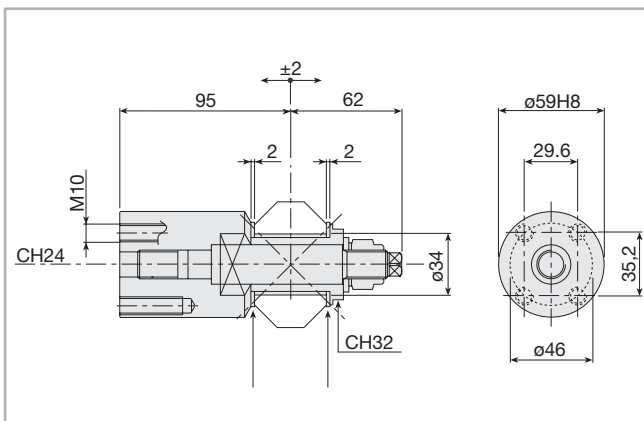


Fig. 44

Important: remove the spacer washers to enable self-alignment of the roller slide

Technical characteristics	
Weight [Kg]	2 circa
Concentric code	236.2076
Excentric code ($\pm 1,5$ mm)	236.2079

Tab. 27

> Type 10-11-12 assembly pins suitable for tilting roller slides P-Q



Fig. 45

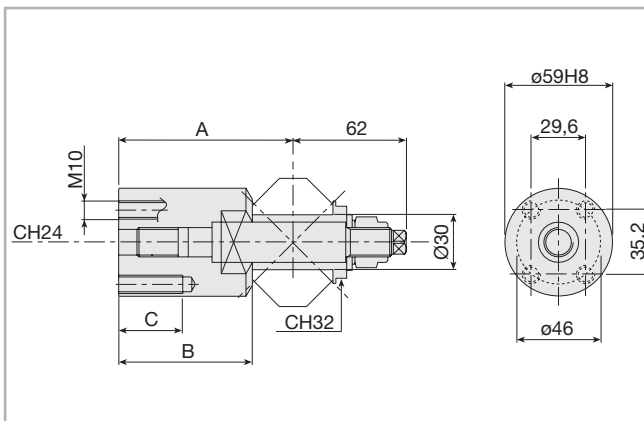


Fig. 46

Type	A [mm]	B [mm]	C [mm]	Weight [Kg]	Exc. code ($\pm 1,5$ mm)
10	95	73	35	2	236.2083
11	87	65	27	1,8	236.2089
12	78	56	18	1,7	236.2091

Tab. 28

> V-shaped guide rail assembly inserts

Material: C40 galvanized steel.

A and C: suitable for medium profiles

B and D: suitable for load-bearing profiles

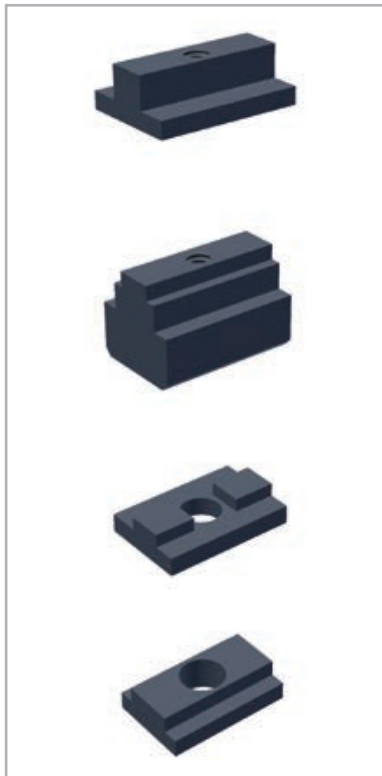


Fig. 47

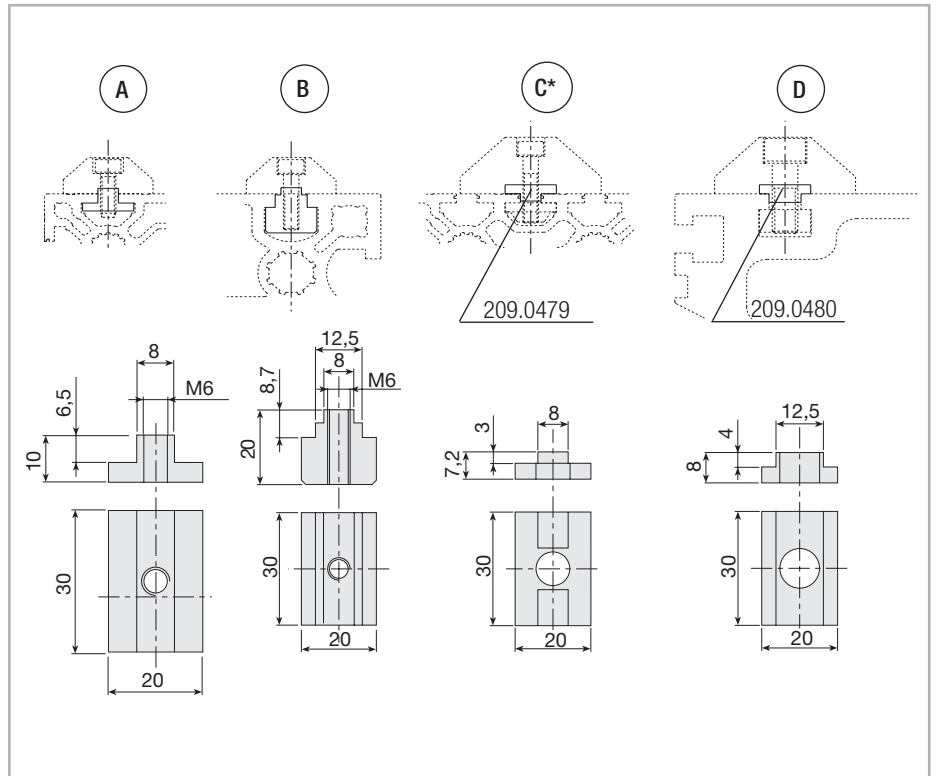


Fig. 48

* Special drilling for M8 screws instead of M10 is required.

Guide rails	Slot side	Screw	Code
A 35x16/28,6x11	8	M6x20	209.0298
B 35x16	12,5	M6x25	209.1855
C* 55x25	8	M8x30	209.0479
D 55x25	12,5	M10x30	209.0480

Tab. 29

Technical instructions

> Rollers and V-shaped guide rails 28.6x11 and 35x16

Material: Hardened and burnished C45 steel covering; burnished steel pins and bolts. Rollers with shaped plastic cover are available upon request. Rollers with longer centre-distance L can be supplied.

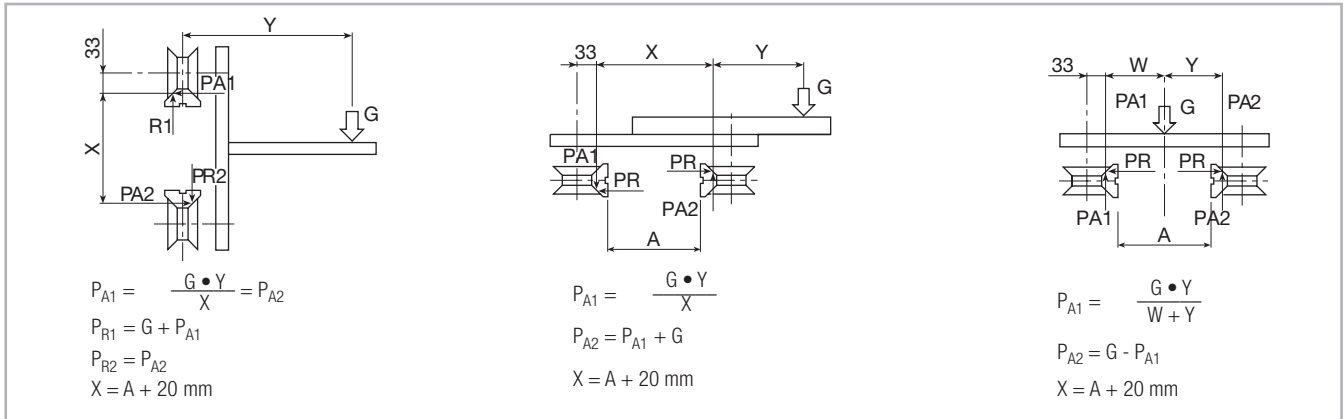


Fig. 49

> Application diagram common to 2-roller slides

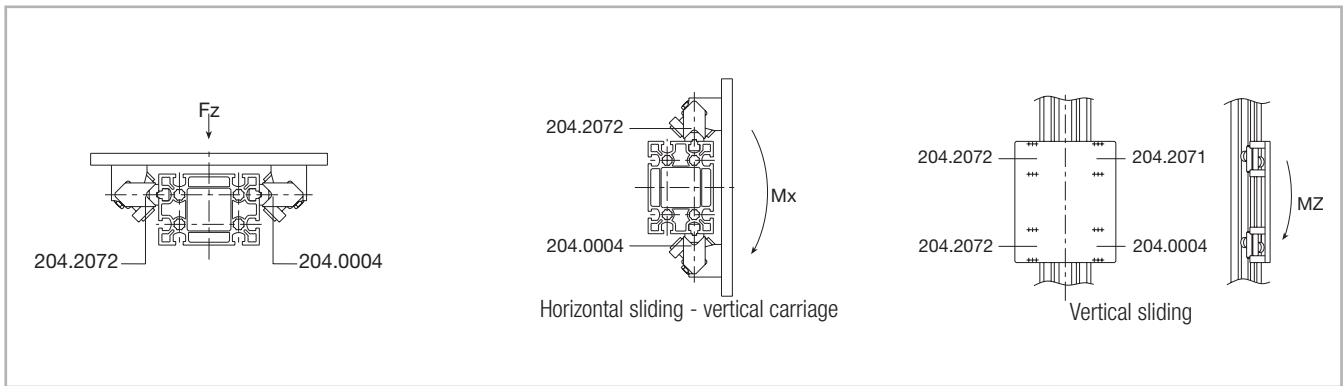


Fig. 50

> Application diagram common to 3-roller slides

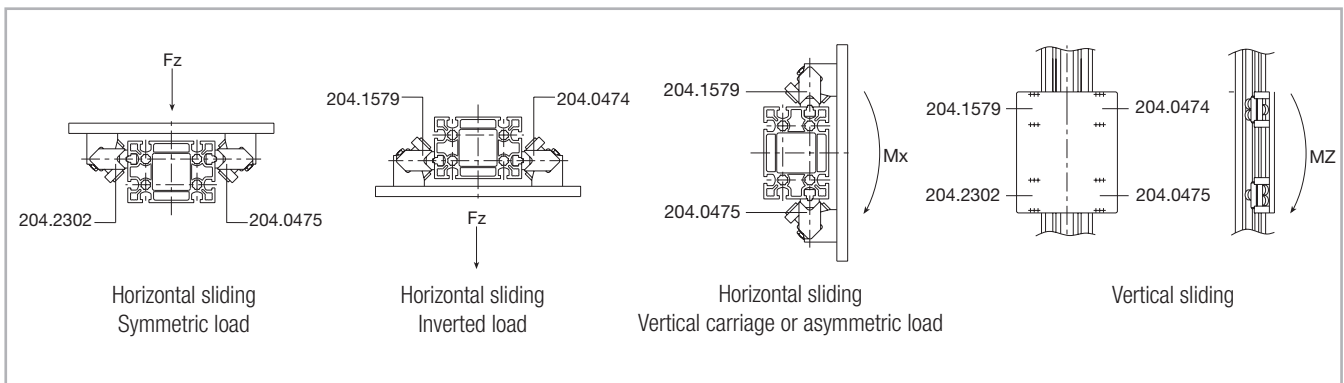
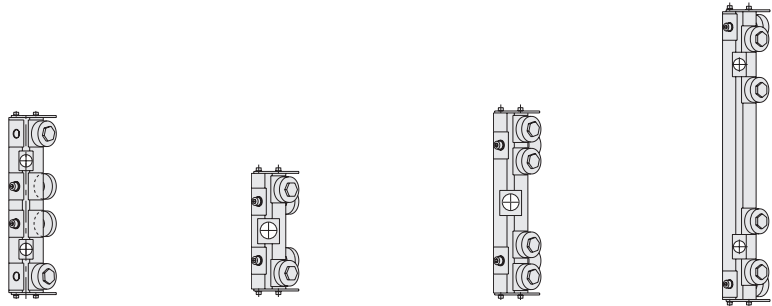
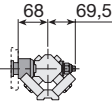
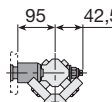
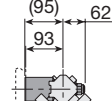
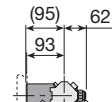
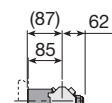
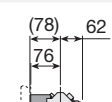


Fig. 51

Ordering key

> Identification codes for roller slides and pins



	PIN	Roller sl.	E (Ø 52)	F (Ø 62)	G (Ø 52)	H (Ø 62)	I (Ø 52)	L (Ø 62)	P (Ø 52)	Q (Ø 62)
	7	CONC	-	-	-	-	-	-	-	-
		exc.	204.1345	204.1348	-	-	-	-	-	-
	8	CONC								
		exc.	204.1345	204.1349						
	9	CONC	-	-	204.2092	204.2093	204.2094	204.2095	-	-
		exc.	-	-	204.2102	204.2103	204.2104	204.2105	-	-
	10	CONC	-	-	-	-	-	-	204.2096	204.2097
		exc.	-	-	-	-	-	-	-	204.2106
	11	CONC	-	-	-	-	-	-	204.2098	204.2099
		exc.	-	-	-	-	-	-	-	204.2108
	12	CONC	-	-	-	-	-	-	204.2100	204.2101
		exc.	-	-	-	-	-	-	-	204.2110

Tab. 30

P
R

> Identification codes for Prismatic Rail guide

P	28	J	1100	F	XX	X = Single slanting cut XX w= Double slanting cut
	35					
	55					
				Drilled		
			Length			
			J = jointed rails (only when required)			
Size						
Linear guides series Prismatic Rail						

Ordering example: P55-2750FX, P55-2600FXX, P55-J5200FC01

Notes on ordering: the rail length codes are always 4 digits; use zeroes as a prefix when lengths are shorter.

In case of jointed rails it is necessary to send the segmentation order.

> Assembly of standard carriages / K version carriages

IMPORTANT: for applications with high projecting loads, the rollers of the slides must be adjusted so that the load is supported by the maximum possible number of rollers. If this means arranging the rollers symmetrically with respect to the standard roller slide version, please add the letter K at the end of the code when filling in the order form. However, the roller assembly can also be inverted at a later date, by disassembling the pins and rollers and then reassembling them in the opposite way.

Example:

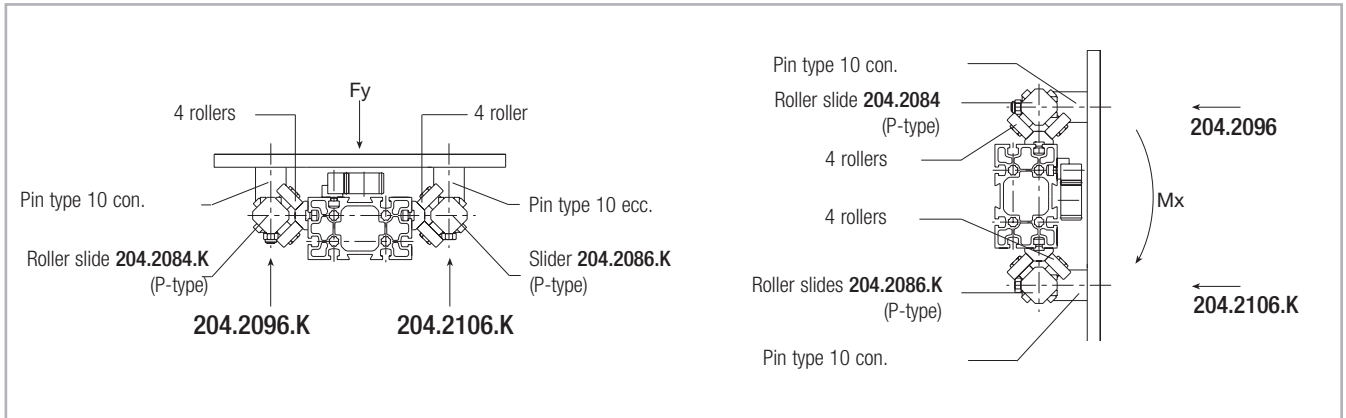


Fig. 53



Follow us:



● Rollon Branches & Rep. Offices
● Distributors

EUROPE

ROLLON S.p.A. - ITALY (Headquarters)

Via Trieste 26
I-20871 Vimercate (MB)
Phone: (+39) 039 62 59 1
www.rollon.it - infocom@rollon.it

ROLLON GmbH - GERMANY

Bonner Strasse 317-319
D-40589 Düsseldorf
Phone: (+49) 211 95 747 0
www.rollon.de - info@rollon.de

ROLLON S.A.R.L. - FRANCE

Les Jardins d'Eole, 2 allée des Séquoias
F-69760 Limonest
Phone: (+33) (0) 4 74 71 93 30
www.rollon.fr - infocom@rollon.fr

ROLLON B.V. - NETHERLANDS

Ringbaan Zuid 8
6905 DB Zevenaar
Phone: (+31) 316 581 999
www.rollon.nl - info@rollon.nl

ROLLON S.p.A. - RUSSIA (Rep. Office)

117105, Moscow, Varshavskoye
shosse 17, building 1
Phone: +7 (495) 508-10-70
www.rollon.ru - info@rollon.ru

ROLLON Ltd - UK (Rep. Office)

The Works 6 West Street Olney
Buckinghamshire, United Kingdom, MK46 5 HR
Phone: +44 (0) 1234964024
www.rollon.uk.com - info@rollon.uk.com

AMERICA

ROLLON Corporation - USA

101 Bilby Road. Suite B
Hackettstown, NJ 07840
Phone: (+1) 973 300 5492
www.rolloncorp.com - info@rolloncorp.com

ROLLON - SOUTH AMERICA (Rep. Office)

R. Joaquim Floriano, 397, 2o. andar
Itaim Bibi - 04534-011, São Paulo, BRASIL
Phone: +55 (11) 3198 3645
www.rollonbrasil.com.br - info@rollonbrasil.com

ASIA

ROLLON Ltd - CHINA

No. 1155 Pang Jin Road,
China, Suzhou, 215200
Phone: +86 0512 6392 1625
www.rollon.cn.com - info@rollon.cn.com

ROLLON India Pvt. Ltd. - INDIA

1st floor, Regus Gem Business Centre, 26/1
Hosur Road, Bommanahalli, Bangalore 560068
Phone: (+91) 80 67027066
www.rollonindia.in - info@rollonindia.in

ROLLON - JAPAN

3F Shiodome Building, 1-2-20 Kaigan, Minato-ku,
Tokyo 105-0022 Japan
Phone +81 3 6721 8487
www.rollon.jp - info@rollon.jp

Consult the other ranges of products



Distributor

www.linejnye.ru
e-mail: linejnye@mail.ru
Тел. +7 (499) 703-15-70
Москва

All addresses of our global sales partners can also be found at www.rollon.com

The content of this document and its use are subject to the general terms of sale of ROLLON available on the web site www.rollon.com
Changes and errors expected. The text and images may be used only with our permission.